

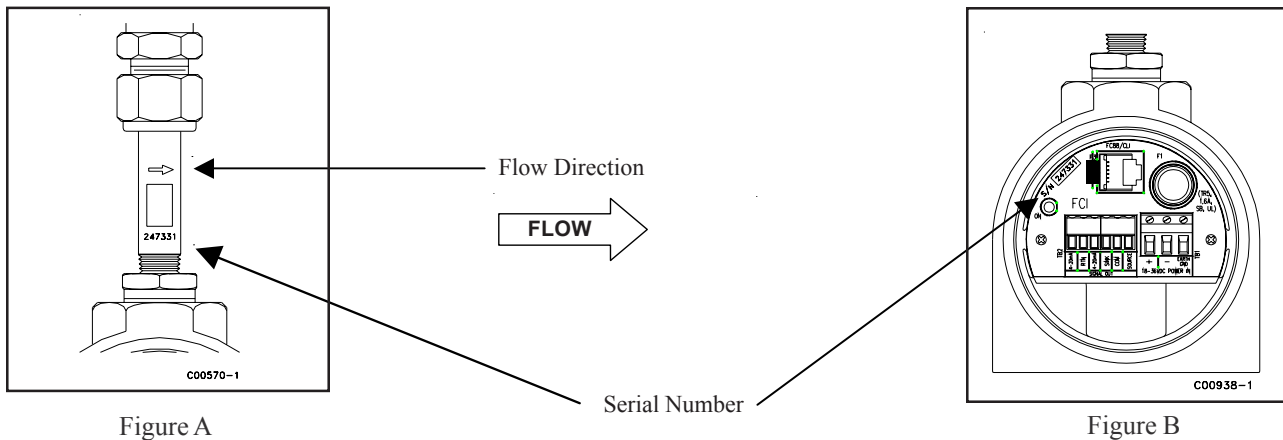
ST51 MASS FLOW METER Installation and Operation Guide

Pre-Installation

The ST51 can be specified with integral or remote electronics. The flow element has a serial number etched into the side of the extension pipe as shown on figure A. The transmitter circuit card has a serial number noted on the board as shown in figure B. The flow sensor and transmitter circuit have been calibrated as a matched set and should be paired together in service unless otherwise approved by a factory technician.

Flow Direction Alignment

All sensor elements have a flow arrow indicator marked on the element assembly at the reference flat. These flow elements have been calibrated in a particular direction and are designed to be used in service with the flow arrow facing in the same direction as flow in the pipe stream. See Appendix C for orientation and factory calibration details.



Recommended Straight Run

To optimize flow meter system performance, FCI recommends installation with a minimum of 20 pipe diameters upstream straight run and 10 pipe diameters of downstream straight run. Where straight run limitations significantly reduce the available pipe diameters, FCI utilizes Vortab flow conditioners to produce a transferable flow profile from the calibration installation to actual field installations. FCI's proprietary AVAL software is available to make flow meter installation evaluations where straight run limitations are considered. See Fig C for recommended installation.

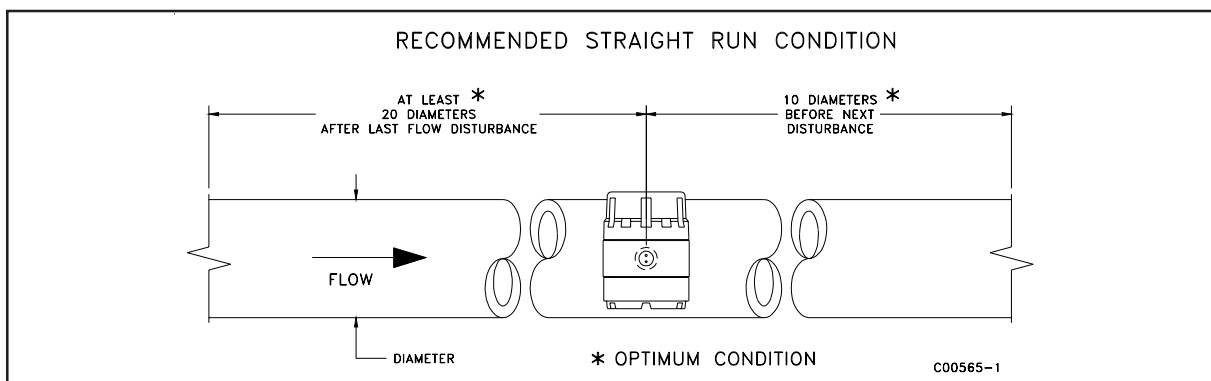


Figure C

FCI Flow Meters may be installed with less than the recommended straight run, but may have performance limitations. FCI offers Vortab flow conditioners for use in applications that have significant straight run limitations. FCI uses the AVAL application modeling software to predict meter performance in each installation. AVAL outputs are available to review prior to order placement and will indicate performance expectations both with and without Vortab Flow Conditioning.

Specifications

Instrument

Media Compatibility: Biogas, Digester Gas, Methane, Natural Gas, Air, Compressed Air, Nitrogen

Pipe/Line Size Compatibility: 2" to 24" [51 mm to 610 mm]

Flow Range: 0.3 sfps to 400 sfps [0,08 mps to 122 mps]

Accuracy: (at >0.75 sfps [>0,21 nmpps])
 Standard: ± 2% reading ± 0.5% full scale
 Optional: ± 1% reading ± 0.5% full scale

Repeatability: ± 0.5% reading

Temperature Compensation:
 Standard: 40 °F to 100 °F [4 °C to 38 °C]
 Optional: 0 °F to 250 °F [-18 °C to 121 °C]

Turndown Ratio: 3:1 to 100:1

Agency Approvals:

- ATEX/IEC Ex: II 2 G Ex d IIC T6...T3
 II 2 D Ex tD A21 IP67 T90°C...T121°C
- FM, CSA: Class I, Div. 1, Groups B, C, D (Enclosure only)
 Class I, Div. 2 Pending
- CRN No.: 0F0303

Warranty: 1 year

Flow Element

Installation: Insertion, variable length with 1/2" or 3/4" NPT(M) compression fitting.

Type: Thermal Dispersion

Material of Construction: 316L stainless steel body with Hastelloy-C22 thermowell sensors, 316 stainless steel compression fitting with Teflon or stainless steel ferrule.

Pressure (Maximum Operating without Damage):

- Stainless steel ferrule: 500 psig [34 bar(g)]
- Teflon ferrule: 150 psig [10 bar(g)]

Operating Temperature:

- Stainless steel ferrule: 0 °F to 250 °F [-18 °C to 121 °C]
- Teflon ferrule: 0 °F to 200 °F [-18 °C to 93 °C]

Process Connection: 1/2" MNPT or 3/4" MNPT with stainless steel or Teflon ferrule.

Insertion Length (Field Adjustable):

- 1" to 6" [25 mm to 152 mm]
- 1" to 12" [25 mm to 305 mm]
- 1" to 18" [25 mm to 457 mm]

Flow Transmitter

Enclosure: NEMA 4X [IP67], aluminum, dual conduit ports with either 1/2" Female NPT or M20x1.5 entries. Epoxy coated.

Operating Temperature: 0 °F to 140 °F [-18 °C to 60 °C]

Input Power:

- DC: 18 Vdc to 36 Vdc (6 watts max.)
- AC: 85 Vac to 265 Vac (12 watts max.; CE Mark Approval for 100 Vac to 240 Vac)

Analog Output Signals: Dual 4-20 mA, configurable to flow rate and/or temperature (500 ohm max impedance) and a pulse output for total flow.

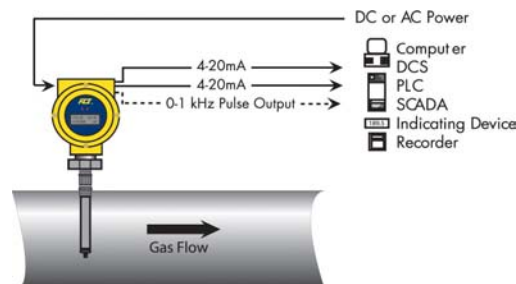
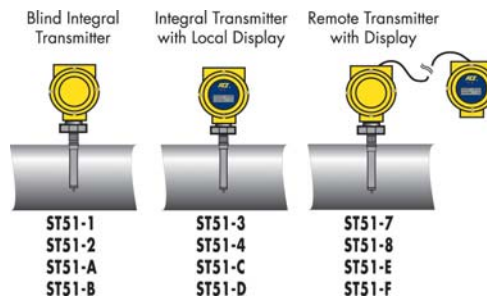
Output Pulse Source: Totalized flow or alarm set point. 15VDC. Pulse width at 50% duty cycle for rates 1 to 500Hz, 0.5 second pulse width for pulse rates below 1Hz. 25mA maximum load pulsed, 10mA maximum load if state set to normally on.

Output Pulse Sink: Totalized flow or alarm set point. Pulse width at 50% duty cycle for rates 1 to 500Hz, 0.5 second pulse width for rates below 1Hz. Customer power source and load not to exceed 40VDC and 150mA.

Communication Port: RS-232C. Wireless IR to PDA with optional digital display models.

Digital Display: Two-line x 16 character LCD; displays measured value and engineering units. Top line assigned to flow rate, second line user assignable to temperature reading, flow totalizer or alternating. Display can be rotated in 90° increments for optimum viewing orientation.

Installation and Mounting: Integral with sensor element or remote mountable up to 50' [15 m].



Installing Flow Element

Insertion Depth



Warning: The element is shipped with a protective sleeve surrounding the flow element. After removing the sleeve, take care to prevent the element from sliding through the compression fitting and contacting the opposing wall with any force as it may cause damage to the element and potentially upset the calibration.

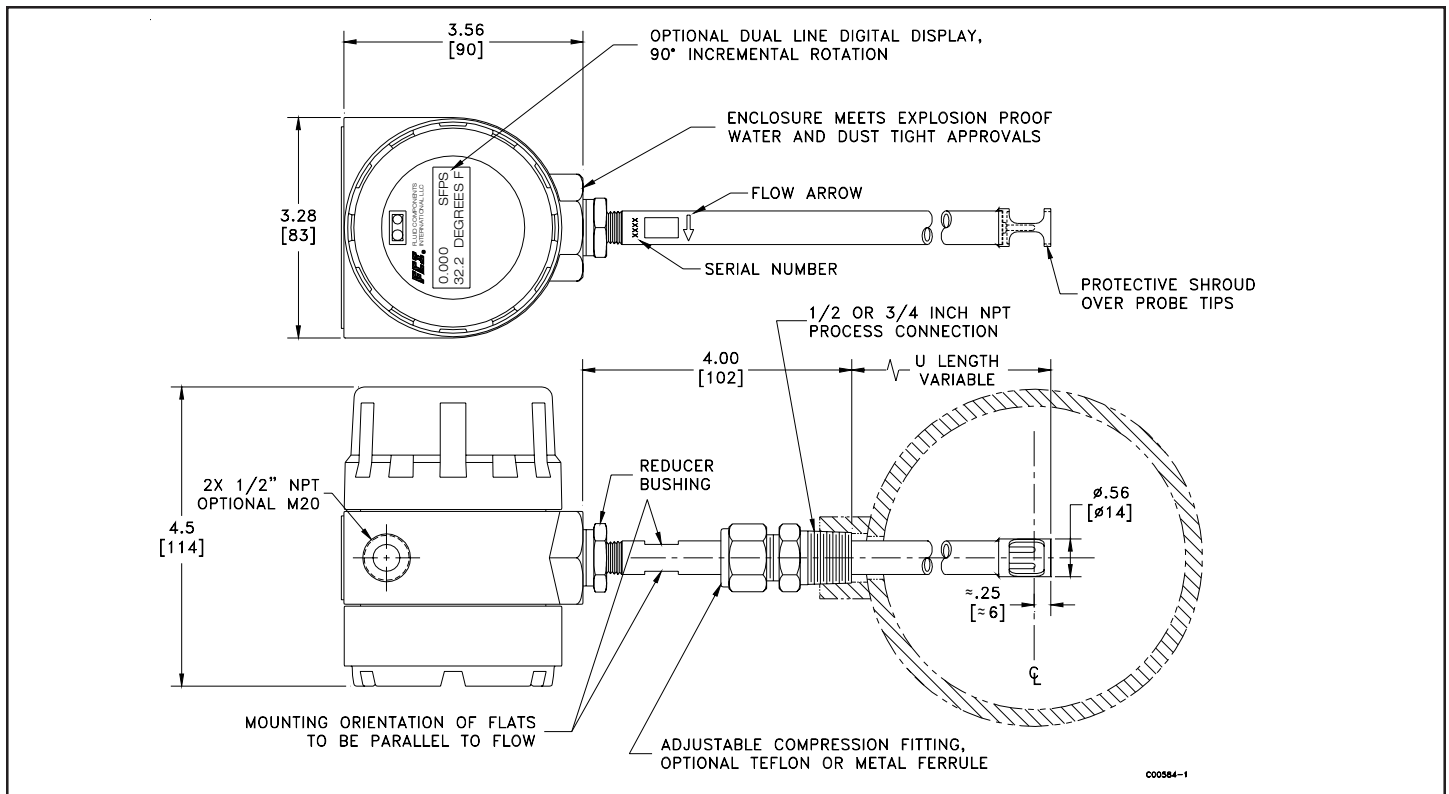
The ST51 is available with both Teflon compression fitting ferrules and metal ferrules. While the Teflon ferrule configuration can be readjusted, it is possible that over tightening may result in permanent positioning or damage to the extension pipe and will make future adjustment difficult. While Teflon provides for some adjustability, it has a lower process pressure rating and is not designed for continuous adjustments. The metal ferrule version can only be tightened down once and it becomes permanently positioned. The Ferrule type is indicated in the instrument part number displayed on the instrument tag. This can be cross referenced to the ordering information sheet.

All flow meters have been calibrated with the flow element located at the centerline of the pipe and flow stream as indicated in Figure D. Couplings and threadolts come in various dimensions. Proper installation requires that the element be measured with consideration to process connection dimensions and pipe centerline. FCI recommends that the element be first installed in the line with the compression fitting lightly tightened around the extension, then slowly move the pipe extension forward until the element is at centerline as shown.



Warning: On top mount installations, particularly, take care to prevent the element from sliding through the compression fitting and contacting the opposing wall with any force as it may cause damage to the element and potentially upset the calibration.

FLOW ELEMENT INSTALLATION & “U” LENGTH ADJUSTMENT



Note: For proper performance, element shall be installed so that tip of probe is .25 inches [6mm] past pipe centerline. Instrument is specifically calibrated for centerline referenced installation. Critical for line sizes 4" [25mm] and smaller.

To assist in final installation, FCI suggests making a readable mark on the extension pipe to indicate the final desired compression fitting position that will place the element at the centerline reference once the system is tightened down into place. With the compression fitting lightly tightened, hold the element assembly along the outside of the installation, or directly above, to visually verify the compression fitting location will ensure centerline installation. To calculate the actual "U" length dimension, take the inside diameter of the pipe or duct divide by 2, then add 0.25", then add for the pipe wall thickness and the process fitting offset that allows the compression fitting to securely seat in the process port. See Figure D above.

Align the flat parallel to flow and adjust the instrument depth. Upon determination of the final compression fitting location on the extension pipe, apply the proper thread sealant to the NPT threads, firmly tighten the compression fitting into the mating process connection. Torque varies per application. Tighten the compression nut to the torque indicated with the corresponding ferrule material. Manufacturer recommends 1-1/4 turns from hand tight baseline.

Ferrule	Torque
Teflon	65 in – lbs
316 SST	65 ft – lbs

Instrument Wiring

Before the instrument is opened to connect power and signal, FCI recommends that the following ESD precautions be observed:

Use a wrist band or heel strap with a 1 megaohm resistor connected to ground. If the instrument is in the shop setting, there should be a static conductive mat on the work table or floor with a 1 megaohm resistor connected to ground. Connect the instrument to ground. Apply antistatic agents such as Static free made by Chemtronics (or equivalent) to hand tools to be used on the instrument. Keep high static producing items away from the instrument.

The above precautions are minimum requirements. The complete use of ESD precautions can be found in the U.S. Dept of defense handbook 263.



Warning: Only Qualified personnel are to wire or test this instrument. The operator assumes all responsibility for safe practices while wiring and trouble shooting.

FCI recommends installing an input power disconnect switch and fuse near the instrument to interrupt power during installation and maintenance. Operator must have power disconnected before wiring.

See Safety instructions in Appendix A for the use of the ST51 series (AC and DC versions) in Hazardous Areas Category II (Zone 1). Approval, KEMA 08ATEX0045/IECEX KEMA08.0012 for Category 2 GD protection Ex d IIC T6..T1, Ex tD A21 IP67 T 90°C...T 121°C.

Input Power

The ST51 is available with both VDC and VAC input power configurations. Customers selecting VDC input power will have a VDC input board only. Similarly, the VAC power board is supplied only with VAC powered units. In addition, both boards are marked for either AC or DC power. Only connect the power specified on the wiring module as shown on Figures E and F respectively. Both VAC and VDC inputs require a Gnd wire to be connected. Input power terminal blocks are rated for 14-26 AWG.

To wire the instrument, ensure that the power is off. Pull the power and signal output wires through the port, using care not to damage wires. FCI recommends using crimp lugs on the output wires to ensure proper connection with the terminal strip. Connect the output wires as shown on figures E and F. Note that when the 4-20mA outputs are used simultaneously, a single return lead is used.

Analog Output

4-20mA: The instrument is provided with a standard set up, of two 4-20mA outputs. Output 1 configured for flow and Output 2 configured for temperature. Terminal blocks rated for 14-28 AWG., 500 ohm max load per output.

Pulse Output Activation

The ST51 provides a pulse output feature. Instruments ordered with volumetric or mass flow units will be factory set with totalizer and pulse output activated. The mode can be changed in the field. Wiring either sink or source mode is shown in Figures E and F below. Though only one configuration is shown with the VAC and VDC power supplies, the source or sink can be utilized with either power input.

Sink Mode: 40 VDC Max, 150 mA max. Customer supplied power source

Source Mode: 15 VDC output, 50 mA max

VDC Power Connection

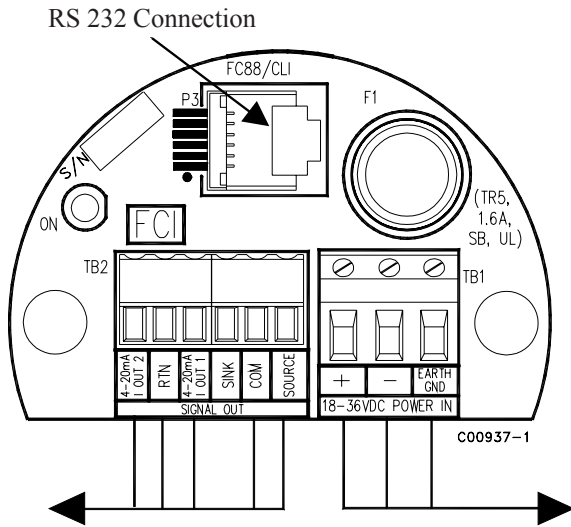


Figure E

VDC Power
 As Shown:
 18-36VDC power connected with gnd
 4-20mA connected for flow and temperature
 Pulse Out in source mode
Note: In source mode, 15VDC Output max, 50mA max.

VAC Power Connection

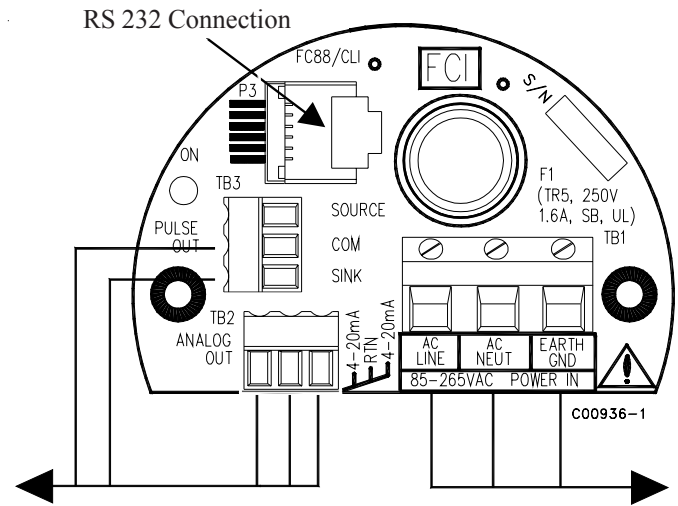


Figure F

VAC Power
 As Shown:
 85-265 VAC power connected with gnd
 4-20mA connected for flow and temperature
 Pulse Out in sink mode
Note: In sink mode, 40VDC max, 150mA max customer supplied power source.

Power Dissipation

AC Version

Power dissipation values under nominal conditions:
 Instrument (Electronics + Sensor): 11.6 Watts
 Sensor only: 0.25 Watts

Power dissipation values under maximum load conditions:
 Instrument (Electronics + Sensor): 12 Watts
 Sensor only: 0.30 Watts

DC Version

Power dissipation values under nominal conditions:
 Instrument (Electronics + Sensor): 4.5 Watts
 Sensor only: 0.25 Watts

Power dissipation values under maximum load conditions:
 Instrument (Electronics + Sensor): 6 Watts
 Sensor only: 0.30 Watts

Setup Interface

All parameters on this meter are set through the RS232 interface connection (P3 plug) or PDA IR interface. A jumper selection determines which communication mode is active. The factory default communication mode is set for the RS232 interface. This setting allows the instrument to be setup with either a FC88 hand held communicator or a computer. The FC88 is powered through the meter and comes with the serial interface cable. If a computer interface is used, an adapter (RJ to 9 pin Computer Serial Port) is required and may be obtained from FCI: Part No. 014108-02.

Using Windows Terminal (usually located in Accessories) execute the program by double-clicking on the Terminal Icon.

1. Go to *Settings*.
2. Click on *Communication*.
3. Set for COM1 or COM2, 9600 Baud, 8 Bit, and No Parity. Press OK
4. Press the *ENTER* key to see the *Input Mode?* prompt.
5. Enter any of the meters single letter commands to execute a function (reference complete function menu in Appendix B).

If the PDA IR interface is used for communication, then jumper JP5 needs to be moved to the alternate position, see Figure G and H. See PDA IR Communication Interface section for more details.

An additional command line interface (CLI) is available through the RS232 port. This interface is accessed with the “Y” command using a computer or FC88. The command line password is “357”. See Appendix B - Table 6 for command line details.

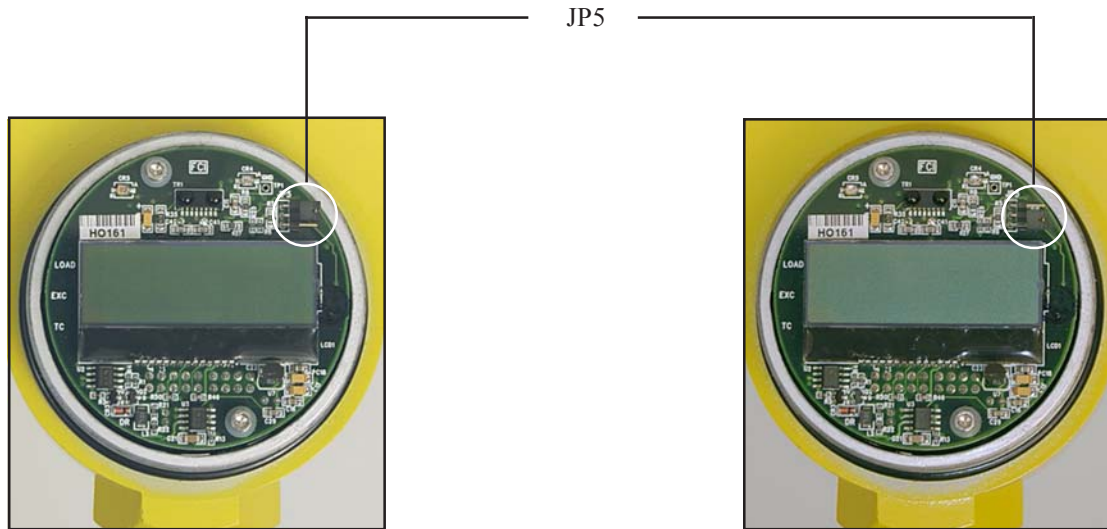
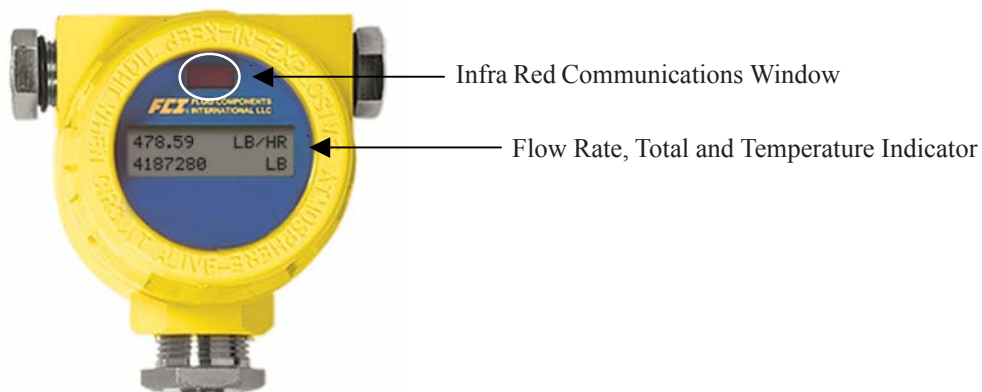


Figure G
JP5 factory set for RS232 interface

Figure H
JP5 set for PDA IR interface



Start up and Commissioning

1. Verify all Input power and output signal wiring is correct and ready for initial power start up.
2. Apply power to instrument. The instrument will initialize in the Normal Operation Mode. All outputs will be active and instruments with the display option will indicate flow with the factory set flow unit. Allow 10 minutes for the instrument to warm up and come to the thermal equilibrium.

The following FC88 commands are typical commands that are used during start up and commissioning:

Command	Name	Description
T	Normal Operation Mode	All outputs are active
Z	Flow Unit Set-Up	Select Flow Units(4 English, 4 Metric)Pipe Dimensions
W	Totalizer	Enable/Disable
V	Output Configuration	Select one of 4 Configurations: Pulse and/or AlarmPulse factor and/or setpoint
F	K-Factor (default=1)	Flow factor
N	Warm Re-set	Re-initialize C/B
S	Totalizer Menu	Enables W menu (Option)

If the instrument is installed, and the process flow is zero, the instrument should indicate 0.000.

Flow Unit Modification

Example: SCFM Flow Units and 3 inch Sch 40 round pipe size set up:

Enter	Display	Description
Enter	menu: >	From Normal Operation Mode
Z	E for English M for Metric >	Flow Unit Set-Up menu
E	0=SFPS, 1=SCFM, 2=SCFH, 3=LB/H, 4=GPM #	English units
1	R round duct or S rectangular>	Select Standard Ft ³ /Min (SCFM)
R	Dia.: 4.0260000 Change? (Y/N)>	Select Round Duct
Y	Enter value: #	
3.068	area: 7.3926572 CMinflow: 0.0000000 Change? (Y/N)>	3 inch Sch. 40 pipe I.D.
N	Maximum flow: 462.04 Enter to continue	
Y	Cmaxflow: 462.04 Change? (Y/N)>	
Y	#	
462.04	CMintemp (F): -40.00000 Change? (Y/N)>	
N	CMaxtemp (F): 250.00000 Change? (Y/N)>	
N	Percent of Range is: OFF Change to ON?>	
N	LCD Mult Factor x1 Change? (Y/N)>	
N	100.0 SCFM	Instrument will end up in Normal Operation Mode

RS232 / FC88

Menu Control and Organization

Most entries require at least two key strokes; a Capital letter and the [ENTER] key, or one or more numbers and the [ENTER] key. All user entries begin at the input mode prompt “>”, except when the instrument is in the Main Function Mode (just press the desired function letter and [ENTER] to make an entry).

Backspaces are made using the backspace [BKSP] key. Some entries are case sensitive between numbers and letters. Be sure the SHIFT key is pressed to indicate the correct case. A square after the prompt caret indicates the FC88 is in lower case. A slightly raised rectangle in the same spot indicates the FC88 is in the upper case.

It is recommended that the FC88 be plugged into the instrument before power is applied. If the FC88 is plugged in while the instrument power is on and the FC88 does not respond, press [ENTER], if there is still no response Press [N] or cycle the power.

Note: The Zero and Span may be changed from the original calibration, provided the new values are within the original calibrated range. i.e. If the original calibration was 1 to 100 SCFM (4-20mA), the new zero (4mA) must be equal to or greater than 1 SCFM, the new span (20mA) must be equal to or less than 100 SCFM.

Some entries require a Factory pass code. If this occurs contact FCI Field Service to continue programming the instrument. The instrument will prompt the user when this is necessary. Do not change any parameters that require this code unless there is an absolute understanding of the instrument's operation. The user can not exit some routines unless all entries are completed or the power is recycled.

The top level of the menu is shown in Appendix B - Table 5. Enter the large letter in the tables below to activate a command. The user may exit a command at any time entering “Q” [ENTER] in the menus: D, K, V, W, or Z.

C Calibration Information	Display only: A/D, Delta-R, Ref-R data values
D Diagnostics	Display only: List of unit parameters.
K Factory Calibration Settings	Display only: Cal. parameters, i.e. linearization and temperature compensation coefficients.
R Factory Reset	Replaces user data with factory calibration data

Table 1. Diagnostics and Factory Settings

Units		
Select	E=English	M=Metric
Select	0= SFPS	5 = SMPS
or	1 = SCFM	6 = NCMH
or	2 = SCFH	7 = NCMH
or	3 = LBS/H	8 = KG/H
or	4 = GPM	9 = LPM
For Volumetric or Mass Flow		
Select	R = Round pipe or duct	
or	S = Square duct	
Set	Diameter or Wide X High (in inches or mm)	
Set	CMaxflow = Maximum flow rate (span)	
Set	CMinflow = Minimum flow rate (zero)	

Note: Changing units requires rescaling the unit (set new zero and span).

Table 2. “Z” Flow Units Set-Up and Scaling

<u>Analog out</u>					
	Select	<u>1</u>	<u>2</u>	<u>3</u>	<u>4</u>
4-20mA out 1		Flow	Flow	Temp	Temp
4-20mA out 2		Temp	Flow	Flow	Temp
<u>Pulse out</u>					
	Select	<u>1</u>	<u>2</u>	<u>3</u>	<u>4</u>
Source out		Pulse	Pulse	Alarm0	Alarm0
	Set	Factor	Factor	Set pt.0	Set pt.0
	Set	Period	Period	State0	State0
	Set	State0	State0		
Sink		Pulse	Alarm1	Pulse	Alarm1
	Set		Set pt.1	Factor	Set pt.1
	Set	State1	State1	Period	State1
				State1	

Table 3. “V” Output Configuration Set-Up

“V” Menu Output Configuration Set Up

NOTE: The display comes up to the last setting saved and stays for 2 seconds. If **N** or **[ENTER]** is entered, the menu proceeds to the Pulse out. If **Y** is entered, the display moves to the selection options and/or asks for confirmation. If you miss the option, select **[Enter]** repeatedly to loop around.

Analog out

```
Output Mode
Selected

4-20mA #1: Flow
4-20mA #2: Temp

Change? (Y/N)>

    4-20mA #1: Flow
    4-20mA #2: Temp
    Enter 1 to make
    the selection__

4-20mA #1:
4-20mA #2: Flow
    Enter 2 to make
    the selection__

4-20mA #1: Temp
4-20mA #2: Flow
    Enter 3 to make
    the selection__

4-20mA #1: Temp
4-20mA #2: Temp
    Enter 4 to make
    the selection__
```

Pulse out

```
Pulse Out
Selected

Source: Pulse
Sink: Pulse

Change? (Y/N)>
    Source: Pulse
    Sink: Pulse
    Enter 1 to make
    the selection #__

    Source: Pulse
    Sink: Alarm1
    Enter 2 to make
    the selection #__

    Source: Alarm0
    Sink: Pulse
    Enter 3 to make
    the selection #__

    Source: Alarm0
    Sink: Alarm1
    Enter 4 to make
    the selection #__
```

```
PFactor: 1.000
Change? (Y/N)>
    if yes
    Enter new factor: ____

Sample Period: 1 second
Change? (Y/N)>
    if yes
    Enter new Sample Period: ____

If alarm is a selected output
Set point1: 000 Set points are in the
same units as the flow
or temp.

Change? (Y/N)>
    if yes
    Enter new set point: ____

Resume normal operation

Source state:
High to Low

Change to Low to High?>
```

Example: COMMAND V (Reference Table 3)

Case: 4-20mA #1 = flow, 4-20mA #2 = Temperature, **Source Out = Pulse, Sink = Alarm**

Pressing **[V]** **[ENTER]** will display “**Output Mode Selected**” followed by:
 “**4-20mA #1 = Flow**” followed by:
 “**Change? (Y/N)**”
 Press **[ENTER]** (no change).

The last saved mode will display at this point. i.e.,

“ Source: Pulse ”	“ Sink: Pulse ”	followed by,
“ Change? (Y/N) ”	Select Y [Enter] .	The display reads,
“ Source: Pulse ”	“ Sink: Pulse ”	followed by,
“ Enter 1 to make the selection #. ”	Select [ENTER] .	The next display reads,
“ Source: Pulse ”	“ Sink: Alarm ”	followed by,
“ Enter 2 to make the selection #. ”	Select 2 and [ENTER] .	The next prompt reads,
“ PFactor: 1.000 ”	“ Change? (Y/N)> ”	(this factor can be anywhere from 0.001 to 1000 - A pulse factor of 1.000 will output 1 pulse per unit of flow.)

If no change, select **N** and/or **[ENTER]** to continue.
 The next prompt is, “**Sample Period**”
 “**Change? (Y/N)>**” (this value may be set from 0.5 to 5 seconds)

If no change, select **N** and/or **[ENTER]** to continue.
 The next prompt is, “**Source state:** ” “**High to Low**” Change to “**Low to High?>**” (this selection toggles the pulse signal normally high or normally low).

[ENTER] to read display.
 “**Switchpt1**” “**0.000000**” the current set point.
 “**Change? (Y/N)>**” enter **Y** **[ENTER]** and enter #____. Set Point Value, i.e. 50 (value is in same units as the flow and must be within the calibrated range). **[ENTER]**. The next prompt is,
 “**Sink state:** ” “**High to Low**” Change to “**Low to High?>**”. Set the output signal to be normally “High” or normally “Low.” Pressing **[Y]** **[ENTER]** toggles the current setting. Pressing **[ENTER]** resumes normal operation.

PDA IR Communication Interface

The IR interface software is an optional accessory kit and can be ordered using FCI part number 019819-01. The software is compatible with PALM OS 4.1 or greater. If the software was ordered with the instrument, a CD should be located with the instrument documentation.

The factory has verified the following 3 PDA models. All commands meet their intended purpose and function properly.

1. Palm, Tungsten E, E2: Palm OS 5.2.1, 5.4.7
2. Palm, Zire 71, Palm OS 5.2.1
3. ecom instruments, m 515-EX, Intrinsically-safe. Palm OS 4.1

Procedure:

1. Download the software into the target PDA. When complete, a yellow and blue FCI icon will be available.
2. Verify JP5 jumper is set in the PDA IR interface position, see Figure H.
3. Select FCI icon on PDA device.
4. The opening menu is displayed, select start.
5. Five menu groups are displayed.

Process: displays current process variables (Flow and Temperature)

ID-Unit: displays model, firmware version, serial no. ...

Set-up: allows access to the following areas

Units	K Factor
Line size	Temp/Flow min/max
Totalizer	Output Cal
LCD	Output Config

Diagnostics: A/D values

Utilities: allows access to the following areas

- Reset
- Parameter memory
- Calibration coefficients
- Factory restore
- Process and System Faults

6. After entering into specific menu areas, point the PDA IR port towards the Instrument display. Begin with the PDA device within 5 feet of the instrument display. Select the "Get All" or "Get" button to retrieve information from the instrument. If a value needs to be changed, the value must first be retrieved.

Example: reading standard process variable information

1. Verify instrument and PDA are functioning.
2. Select FCI icon on the PDA.
3. Select the start button on the opening screen.
4. Select the "Process" button.
5. Point the PDA at the instrument display, start with the PDA no further than 5 feet from the instrument.
6. Select the "Get Data" button.
7. Flow and temperature Data will begin streaming to the PDA.
8. If the IR link is interrupted, a "Command response timed out" message will be displayed.
9. Repeat the process if the link is interrupted.

Maintenance

The FCI instrument requires little maintenance. There are no moving parts or mechanical parts subject to wear in the instrument. The sensor assembly which is exposed to the process media is composed of 316 SS and Hastelloy C.

Without detailed knowledge of the environmental parameters of the application surroundings and process media, FCI cannot make specific recommendations for periodic inspection, cleaning, or testing procedures. However, some suggested general guidelines for maintenance steps are offered below. Use operating experience to establish the frequency of each type of maintenance.

Calibration

Periodically verify the calibration of the output and recalibrate if necessary. FCI recommends every 18 months at a minimum.

Electrical Connections

Periodically inspect cable connections on terminal strips and terminal blocks. Verify that terminal connections are tight and physically sound with no sign of corrosion.

Remote Enclosure

Verify that the moisture barriers and seals protecting the electronics in the local enclosure is adequate and that no moisture is entering the enclosure.

Electrical Wiring

FCI recommends occasional inspection of the system's interconnecting cable, power wiring and flow element wiring on a "common sense" basis related to the application environment. Periodically the conductors should be inspected for corrosion and the cable insulation checked for signs of deterioration.

Flow Element Connections

Verify that all seals are performing properly and that there is no leakage of the process media. Check for deterioration of the gaskets and environmental seals used.

Insertion Type Flow Element Assembly

Periodically remove the flow element for inspection based on historical evidence of debris, foreign matter, or scale build-up and appropriate plant shutdown schedules and procedures. Check for corrosion, stress cracking, and/or build-up of oxides, salts, or foreign substances. The thermowells must be free of excessive contaminants and be physically intact. Any debris or residue build-up could cause inaccurate flow indication. Clean the flow element, as necessary, with a soft brush and available solvents (compatible with Stainless Steel).

Troubleshooting

Application Verification

After verifying that the flow meter is functioning, review the application parameters as shown below to verify the calibration matches the process media.

Equipment Needed

Flow Instrument Calibration Data

Process Parameters and Limits

Check Serial Numbers

Verify that the serial number of the flow element and the flow transmitter electronics are the same. The flow element and the flow transmitter are a matched set and cannot be operated independently of each other.

Check the Instrument Installation

Verify correct mechanical and electrical installation. Verify the flow element is mounted at least 20 diameters downstream and 10 diameters upstream from any bends or interference in the process pipe or duct.

Check for Moisture

Check for moisture on the flow transmitter. Moisture may cause intermittent operation. Check for moisture on the flow element. If a component of the process media is near its saturation temperature it may condense on the flow element. Place the flow element where the process media is well above the saturation temperature of any of the process gases.

Check Application Design Requirements

Application design problems may occur with first time application instruments, although the design should also be checked on instruments that have been in operation for some time. If the application design does not match field conditions, errors occur.

1. Review the application design with plant operation personnel and plant engineers.
2. Ensure that plant equipment such as pressure and temperature instruments conform to the actual conditions.
3. Verify operating temperature, operating pressure, line size, and gas medium.

Verify Standard Versus Actual Process Conditions

The flowmeter measures the mass flow rate. The mass flow rate is the mass of the gas flowing through a pipe per time. Other flow meters, such as an orifice plate or a pitot tube, measure the volumetric flow rate. The volumetric flow rate is the volume of gas per time. If the readings displayed do not agree with another instrument, some calculations may be necessary before comparing them. To calculate the mass flow rate, the volumetric flow rate, and the pressure and temperature, the point of measurement must be known. Use the following equation to calculate the mass flow rate (Standard Volumetric Flow rate) for the other instrument:

Equation:

$$Q_s = Q_A \times \frac{P_A}{T_A} \times \frac{T_s}{P_s}$$

Where:

Q_A = Volumetric Flow Q_s = Standard Volumetric Flow

P_A = Actual Pressure T_A = Actual Temperature

P_s = Standard Pressure T_s = Standard Temperature

PSIA and °R are used for pressure and temperature units.

(Metric: Where bar(a) and °K are used for pressure and temperature.)

Example:

Q_A = 1212.7 ACFM

P_A = 19.7 PSIA

P_s = 14.7 PSIA

Q_s = 1485 SCFM

T_A = 120°F (580°R)

T_s = 70°F (530°R)

(Metric: P_s = 1.01325 bar(a))

T_s = 21.1°C (294.1K))

$$\left(\frac{1212.7 \text{ ACFM}}{1} \right) \left(\frac{19.7 \text{ PSIA}}{580^\circ \text{ R}} \right) \left(\frac{530^\circ \text{ R}}{14.7 \text{ PSIA}} \right) = 1485 \text{ SCFM}$$

Calibration Parameters Verification

The instrument uses a set of predetermined calibration parameters to process flow signals. Most of these parameters should not change. A data package located with this manual contains the “ST51 Delta R Data Sheet”. This contains the calibration parameters stored in the flow transmitter at the factory. To verify that these parameters have not changed, complete the following:

1. Identify the appropriate Delta R Data sheets by serial number of the instrument.
2. Press [D] [ENTER] to examine each of the parameters. The [ENTER] key allows scrolling one message at a time. Use Table 4 to verify parameters with the Delta R Data sheet ST51 Parameters.

S/W Version:		dR Min:		T SpanIDAC 0:	
Flow Factor:		dR Max:		T ZeroIDAC 0:	
Cmin Flow:		Cal Ref:		T SpanIDAC 1:	
Cmax Flow:		Tcslp:		T ZeroIDAC 1:	
Eng Units:		Tcslp 0:		State 0:	
Line Size 0:		Tcslp 2:		Switch Pt 0:	
Line Size 1:		Tot Menu:		State 1:	
Cmin Temp:		Tot Flag:		Switch Pt 1:	
Cmax Temp:		Totalizer:		K factor 1:	
Min Flow:		Rollover Cnt:		K factor 2:	
Max Flow:		Fix Pt Flag:		K factor 3:	
Density:		Pulse Factor:		K factor 4:	
*C1 [1]:		Pulse Out:		I factor:	
*C1 [2]:		Hours:		Temp Flag:	
*C1 [3]:		Sample Period:		Out Mode:	
*C1 [4]:		dR Slope:		Boxcar Max:	
*C1 [5]:		dr Off Set:		RTD-SLP-385:	
Break Pt:		Refr Slope:		% of Range:	
*C2 [1]:		Refr Off Set:		User Name:	
*C2 [2]:		SpanIDAC 0:		Shop Order #:	
*C2 [3]:		ZeroIDAC 0:		Serial No.:	
*C2 [4]:		SpanIDAC 1:		Model#:	
*C2 [5]:		ZeroIDAC 1:			

Table 4. Diagnostic Test Sequence on Display

If parameters that have an asterisk (*) have changed, this may indicate a problem. Customer Service should be contacted. If the parameters have not changed, continue with the next section.

Hardware Verification

Equipment Required:

- Digital Multimeter
- Screw Driver

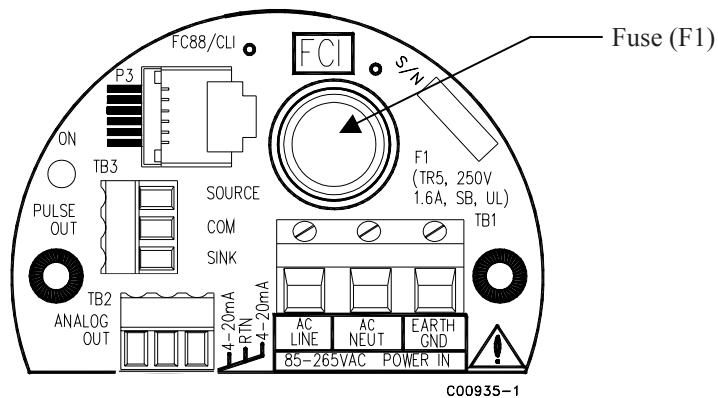
The ST51 Flowmeter is comprised of 4 basic components:

1. Sensor element.
2. Customer interface circuit board
3. Control circuit assembly circuit board module.
4. Electronics enclosure.

Step 1

Verify fuse (F1) located on the customer interface circuit board is in normal working condition.

Remove power from the instrument. Open the electronics enclosure exposing the customer interface circuit board. This circuit board is located under the shorter enclosure lid along with all of the power and input/output connections. Unscrew the clear cover on the fuse and pull the fuse out of the fuse holder. Check the fuse for continuity. If fuse reads open, replace with equivalent component (FCI part no. 019933-01), Wickmann Inc. series 374, amp code 1160, package 41.

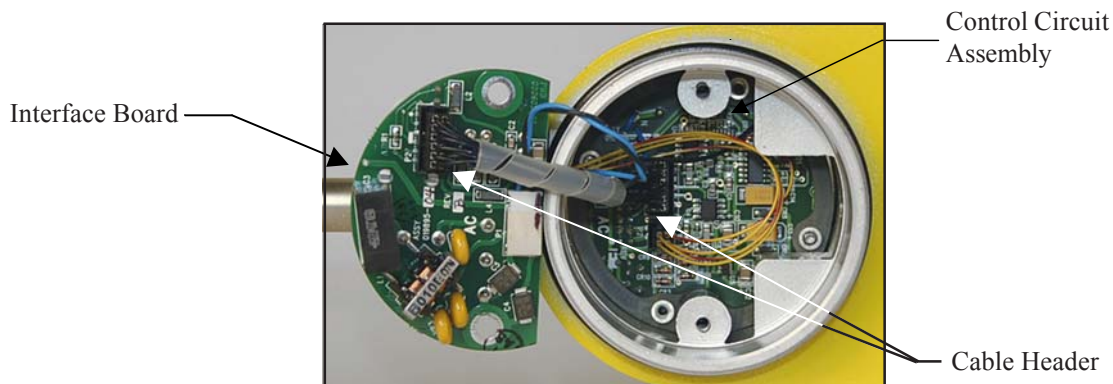


Ac power customer interface circuit board shown. Fuse (F1) on DC power customer interface circuit board located in similar position.

Step 2

Verify interconnecting cable from the customer interface board and the control circuit board assembly module are correctly seated into the appropriate header.

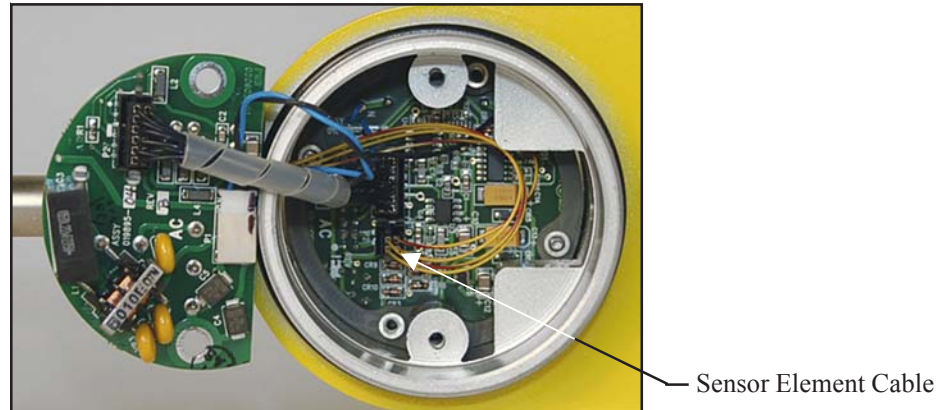
Remove power from the instrument. Open the electronics enclosure exposing the customer interface circuit board. This circuit board is located under the shorter enclosure lid along with all of the power and input/output connections. Remove the 2 screws securing the interface circuit board to the electronics enclosure. Carefully lift the interface face board exposing the interconnecting cable between the interface board and the control circuit assembly. Verify cable is seated firmly at both ends of the cable header.



Step 3

Verify sensor element continuity and resistance.

Remove sensor element cable from the bottom of the control circuit assembly. Note that 2 of the wires have a red stripe and are located closest to the interconnecting cable header. Using an ohm meter verify that resistance between the 2 red striped wires is approximately 1100 ohms +/- 20. This resistance is temperature dependant. The resistance at 70 degrees F should be 1082 ohms. Verify the resistance between the 2 natural colored wires are approximately the same.



FCI provides full in-house technical support. Additional technical representation is also provided by FCI field representatives. Before contacting a field or in-house representative, please perform the troubleshooting techniques outlined in this document. If problems persist, contact the FCI Customer Service department at 1-800-854-1993 or 1-760-744-6950.

If the instrument is to be returned to FCI, please obtain a Return Authorization. The form contains a declaration of decontamination cleaning information that the instrument must comply with before it is shipped to FCI.

Transmitter Circuit Calibration Check (Delta R Verification)

References

Delta ‘R’ Data Sheet

Equipment

FC88 Communicator or equivalent.©

DMV

Delta R Data Sheet-Match by serial numbers

2 Precision Decade Resistance boxes, 0.1% (Largest steps: 1K Ohm, smallest steps 0.01 Ohms)

Small flat Blade Screwdriver, 3/32 inches wide blade

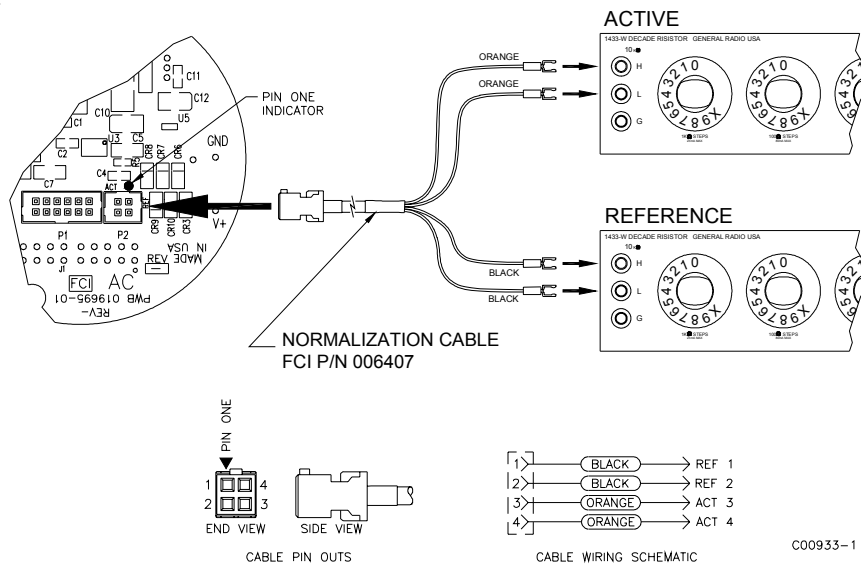
FCI Normalization Cable, FCI part number 006407

Procedure

1. Verify all “D” mode calibration parameters are correct according to the meters Delta R Data Sheet, before starting verification.
2. Turn power off
3. Mark all sensor element wires connected to the circuit board, so they may be reconnected to the proper terminals. Disconnect the wires.
4. Connect the resistance decade box to the electronics as per the appropriate diagram for the ST51.

NOTE: Interconnector wiring (resistance decade box to electronics) must be 24 AWG and 45 inches long, to avoid any inaccuracies in the Delta R verification, caused by improper wire lengths or wire gauges.

5. Set both decade boxes for the nominal resistance value (1000 ohms) +/- .01%
6. Connect DVM to the meters output termination and monitor the meter output.
7. Turn the power ON and allow the instrument 5 mins. To stabilize
8. With the FC88 connected, Press [T] [Enter] to view the Normal Operating Mode.
9. Adjust the Active Decade Box (Reference decade box remains fixed @ 1000 ohms) to achieve the appropriated Delta R for the displayed flow value and output, noted on the meters Delta R Data Sheet.
10. Note the [C] mode and verify the meters displayed TCDR and REFR values corresponding to the displayed flow rate as per the meters Delta R Data Sheet.
11. Return to the [T] mode to continue the verification.



Appendix A - Approval Information

EC Information



EC DECLARATION OF CONFORMITY Model ST51 / ST75

We, *Fluid Components International LLC*, located at 1755 La Costa Meadows Drive, San Marcos, California 92078-5115 USA, declare under our sole responsibility that the **ST51/ST75 Flowmeter Product Family**, to which this declaration relates, are in conformity with the following standards and Directives.

Directive 94/9/EC ATEX IECEx Scheme

Certified by KEMA Quality B.V. (0344): Utrechtseweg 310, 6812 AR, Arnhem, The Netherlands

EC-Type Examination Certificates:

KEMA 08ATEX0045 satisfies EN 60079-0: 2006, EN 60079-1: 2004, EN 61241-0: 2006, EN 61241-1: 2004 requirements for use in hazardous areas.

IECEx KEMA08.0012 satisfies IEC 60079-0: 2004, IEC 60079-1: 2007-04, IEC 61241-0: 2004, IEC 61241-1: 2004 requirements for use in hazardous areas.

Hazardous Areas Approval KEMA 08ATEX0045/IEC KEM08.0012 for:
Category II 2 G for Gas protection Ex d IIC T6...T3
Category II 2 D for Dust protection Ex tD A21 IP67 T90°C...T121°C

Directive 89/336/EEC EMC

Immunity specifications: EN 61000-6-2: 2001; EN 61000-4-2 1995; EN 61000-4-3: 1996;
EN 61000-4-4 1995; EN 61000-4-5 1995; EN 61000-4-6 2003; EN 61000-4-8 1995;
EN 61000-4-11 1994.

Emissions specification: EN 61000-6-4: 2001; EN55011 1998 Group1 Class A; CISPR 11 1997 Group 1 Class A.

Directive 97/23/EC Pressure Equipment

The ST51 Model does not have a pressure bearing housing and is therefore not considered as pressure equipment by itself according to article 1, section 2.1. The Model ST75 is in conformity with the sound engineering practices as defined in the Pressure Equipment Directive 97/23/EC article 3, paragraph 3.

*Issued at San Marcos, California USA
August, 2008*

 Eric Wible
2008.09.03
09:26:40 -0700

Eric Wible, Engineering Manager

Flow/Liquid Level/Temperature Instrumentation

Visit FCI on the Worldwide Web: www.fluidcomponents.com
1755 La Costa Meadows Drive, San Marcos, California 92078 USA 760-744-6950 • 800-854-1993 • 760-736-6250
European Office: Persephonestraat 3-01 5047 TTTilburg – The Netherlands – Phone 31-13-5159989 • Fax 31-13-5799036

Doc no. 23EN000019-

Safety Instructions for the use the ST51/75 flowmeter in Hazardous Areas Approval KEMA 08ATEX0045/IEC KEM08.0012 for:

Category II 2 G for Gas protection Ex d IIC T6...T3

Category II 2 D for Dust protection Ex tD A21 IP67 T90°C...T121°C

The ST51/75 series consist of a sensing element and associated integral or remote mounted electronics mounted in a type "d" flameproof enclosure.

Relation between ambient temperature, process temperature and temperature class is as follows:

Ambient temperature range (Ta):	T6 [85°C] for : -40°C <Ta< + 65°C
Process temperature range (Tp):	T6 [85°C] for : -40°C <Tp< + 65°C T5 [100°C] for : -40°C <Tp< + 100°C T4 [135°C] for : -40°C <Tp< + 135°C T3 [200°C] for : -40°C <Tp< + 200°C

Electrical data: Power supply: 85 to 265 VAC, 50/60 Hz, 12 Watt max; 24 VDC, 12 VA Max

Dansk	Sikkerhedsforskrifter	Italiano	Normative di sicurezza
Deutsch	Sicherheitshinweise	Nederlands	Veiligheidsinstructies
English	Safety instructions	Português	Normas de segurança
Υπ	Υπ δει εις ασφαλειας	Español	Instrucciones de seguridad
Suomi	Turvallisuusohjeet	Svenska	Säkerhetsanvisningar
Français	Consignes de sécurité		

DK Dansk- Sikkerhedsforskrifter

Disse sikkerhedsforskrifter gælder for Fluid Components, ST51/75 EF-typeafprøvningsattest-nr. KEMA 08ATEX0045/IEC KEM08.0012 (attestens nummer på typeskiltet) er egnet til at blive benyttet i eksplosiv atmosfære kategori II 2 GD.

- 1) Ex-anlæg skal principielt opstilles af specialiseret personale.
- 2) ST51/75 skal jordforbindes.
- 3) Klemmerne og elektronikken er monteret i et hus, som er beskyttet af en eksplosionssikker kapsling med følgende noter:
 - Gevindspalten mellem huset og låget er på en sådan måde, at ild ikke kan brede sig inden i det.
 - Ex-„d“ tilslutningshuset er forsynet med et 1/2" NPT og/eller M20x1.5 gevind for montering af en Ex-„d“ kabelindføring, der er atteresteret iht. IEC/EN 60079-1
 - Det er vigtigt at sørge for, at forsyningsledningen er uden spænding eller eksplosiv atmosfære ikke er til stede, før låget åbnes og når låget er åbent på „d“ huset (f.eks. ved tilslutning eller servicearbejde).
 - Låget på „d“ huset skal være skruet helt ind, når apparatet er i brug. Det skal sikres ved at dreje en af låseskruerne på låget ud.

DA Deutsch-Sicherheitshinweise

Diese Sicherheitshinweise gelten für die Fluid Components, ST51/75 flowmeter gemäß der EG-Baumusterprüfbescheinigung Nr. KEMA 08ATEX0045/IEC KEM08.0012 (Bescheinigungsnummer auf dem Typschild) der Kategorie II 2 GD.

- 1) Die Errichtung von Ex-Anlagen muss grundsätzlich durch Fachpersonal vorgenommen werden.
- 2) Der ST51/75 muß geerdet werden.
- 3) Die Klemmen und Elektroniken sind in einem Gehäuse in der Zündschutzart druckfeste Kapselung („d“) eingebaut.
 - Der Gewindespalt zwischen dem Gehäuse und dem Deckel ist ein zünddurchschlagsicherer Spalt.
 - Das Ex-„d“ Anschlussgehäuse besitzt ein 1/2" NPT und/oder M20x1.5 Gewinde für den Einbau einer nach IEC/EN 60079-1 bescheinigten Ex-„d“ Kabeleinführung.
 - Es ist sicherzustellen, dass vor dem Öffnen und bei geöffnetem Deckel des „d“ Gehäuses (z.B. bei Anschluss oder Service- Arbeiten) entweder die Versorgungsleitung spannungsfrei oder keine explosionsfähige Atmosphäre vorhanden ist.
 - Der Deckel des „d“ Gehäuses muss im Betrieb bis zum Anschlag hineingedreht sein. Er ist durch eine der Deckelarretierungsschrauben zu sichern.

GB IRL English- Safety instructions

These safety instructions are valid for the Fluid Components, ST51/75 flowmeter to the EC type approval certificate no KEMA 08ATEX0045/IEC KEM08.0012 (certificate number on the type label) for use in potentially explosive atmospheres in Category II 2 GD.

- 1) The installation of Ex-instruments must be made by trained personnel.
- 2) The ST51/75 must be grounded.
- 3) The terminals and electronics are installed in a flame proof and pressure-tight housing with following notes:
 - The gap between the housing and cover is an ignition-proof gap.
 - The Ex-"d" housing connection has a 1/2" NPT and/or M20x1.5 cable entry for mounting an Ex-d cable entry certified acc. to IEC/EN 60079-1.
 - Make sure that before opening the cover of the Ex"d" housing, the power supply is disconnected or there is no explosive atmosphere present (e.g. during connection or service work).
 - During normal operation: The cover of the "d" housing must be screwed in completely and locked by tightening one of the cover locking screws.

GR Υπ_δεί_εις_ασφαλείας

Αυτές οι οδηγίες ασφαλείας ισχύουν για τα Ροόμετρα της Fluid Components τύπου ST51/75 που φέρουν Πιστοποιητικό Εγκρίσεως Ευρωπαϊκής Ένωσης, με αριθμό πιστοποίησης KEMA 08ATEX0045/IEC KEM08.0012 (ο αριθμός πιστοποίησης βρίσκεται πάνω στην ετικέτα τύπου του οργάνου) για χρήση σε εκρηκτικές ατμόσφαιρες της κατηγορίας II 2 GD.

- 1) Η εγκατάσταση των οργάνων με αντιαεκρηκτική προστασία πρέπει να γίνει από εξειδικευμένο προσωπικό.
- 2) Το όργανο τύπου ST51/75 πρέπει να είναι γειωμένο.
- 3) Τα τερματικά ηλεκτρικών συνδέσεων (κλέμες) και τα ηλεκτρονικά κυκλώματα είναι εγκατεστημένα σε περιβλήμα αντιαεκρηκτικό και αεροστεγές σύμφωνα με τις ακόλουθες παρατηρήσεις:
 - Το κενό ανάμεσα στο περίβλημα και στο κάλυμμα είναι τέτοιο που αποτρέπει την διάδοση σπινθήρα.
 - Το "Ex-d" αντιαεκρηκτικό περίβλημα, έχει ανοίγματα εισόδου καλωδίου με διάμετρο 1/2" NPT ή/και M20x1.5, κατάλληλα για τοποθέτηση υποδοχής αντιαεκρηκτικού καλωδίου πιστοποιημένης κατά IEC/EN 60079-1
 - Βεβαιωθείτε ότι πριν το άνοιγμα καλύμματος του του "Ex-d" αντιαεκρηκτικού περιβλήματος, η τάση τροφοδοσίας είναι αποσυνδεδεμένη ή ότι δεν υφίσταται στη περιοχή εκρηκτική ατμόσφαιρα (π.χ. κατά τη διάρκεια της σύνδεσης ή εργασιών συντήρησης)
 - Κατά τη διάρκεια ομαλής λειτουργίας: Το κάλυμα του "d" καλύμματος αντιαεκρηκτικού περιβλήματος πρέπει να είναι εντελώς βιδωμένο και ασφαλισμένο, σφίγγοντας μία από τις βίδες ασφαλείας του περιβλήματος.

FIN Suomi - Turvallisuusohjeet

Nämä turvallisuusohjeet koskevat Fluid Components, ST51/75 EY-tyyppitarkastustodistuksen nro. KEMA 08ATEX0045/IEC KEM08.0012 (todistuksen numero näkyy tyyppikilvestä) käytettäessä räjähdysvaarallisissa tiloissa luokassa II 2GD.

- 1) Ex-laitteet on aina asennettava ammattihenkilökunnan toimesta.
- 2) ST51/75 on maadoitettava.
- 3) Syöttöjännitteen kytkemisessä tarvittavat liittimet ja elektroniikka on asennettu koteloon jonka rakenne kestää räjähdyspaineen seuraavin lisäyksin :
 - Kotelon ja kannen välissä on räjähdyspurkausväli.
 - Ex-d liitäntäkotelossa on 1/2" NPT ja/tai M20x1.5 kierre IEC/EN 60079-1 mukaisen Ex-d kaapeliläpiviennin asennusta varten
 - Kun "d"-kotelon kansi avataan (esim. liitäntä tai huollon yhteydessä), on varmistettava, että joko syöttöjohto on jännitteetön tai ympäristössä ei ole räjähtäviä aineita.
 - "d" -kotelon kansi on kierrettävä aivan kiinni käytön yhteydessä ja on varmistettava kiertämällä yksi kannen lukitusruuveista kiinni.

F B L Consignes de sécurité

Ces consignes de sécurité sont valables pour le modèle ST51/75 de la société Fluid Components (FCI) conforme au certificat d'épreuves de type KEMA 08ATEX0045/IEC KEM08.0012 (numéro du certificat sur l'étiquette signalétique) conçu pour les applications dans lesquelles un matériel de la catégorie II2GD est nécessaire.

- 1) Seul un personnel spécialisé et qualifié est autorisé à installer le matériel Ex.
- 2) Les ST51/75 doivent être reliés à la terre.
- 3) Les bornes pour le branchement de la tension d'alimentation et l'électronique sont logées dans un boîtier à enveloppe antidéflagrante avec les notes suivantes :
 - Le volume entre le boîtier et le couvercle est protégé en cas d'amorçage.
 - Le boîtier de raccordement Ex-d dispose d'un filetage 1/2" NPT et/ou M20x1.5 pour le montage d'un presse-étoupe Ex-d certifié selon la IEC/EN 60079-1.
 - Avant d'ouvrir le couvercle du boîtier « d » et pendant toute la durée où il le restera (pour des travaux de raccordement, d'entretien ou de dépannage par exemple), il faut veiller à ce que la ligne d'alimentation soit hors tension ou à ce qu'il n'y ait pas d'atmosphère explosive.
 - Pendant le fonctionnement de l'appareil, le couvercle du boîtier « d » doit être vissé et serré jusqu'en butée. La bonne fixation du couvercle doit être assurée en serrant une des vis d'arrêt du couvercle.

I Italiano - Normative di sicurezza

Queste normative di sicurezza si riferiscono ai Fluid Components, ST51/75 secondo il certificato CE di prova di omologazione n° KEMA 08ATEX0045/IEC KEM08.0012 (numero del certificato sulla targhetta d'identificazione) sono idonei all'impiego in atmosfere esplosive applicazioni che richiedono apparecchiature elettriche della Categoria II 2 GD.

- 1) L'installazione di sistemi Ex deve essere eseguita esclusivamente da personale specializzato.
- 2) I ST51/75 devono essere collegati a terra.
- 3) I morsetti per il collegamento e l'elettronica sono incorporati in una custodia a prova di esplosione („d“) con le seguenti note:
 - La sicurezza si ottiene grazie ai cosiddetti „interstizi sperimentali massimi“, attraverso i quali una eventuale accensione all'interno della custodia non può propagarsi all'esterno oraggiungere altre parti dell'impianto.
 - La scatola di collegamento Ex-d ha una filettatura 3/4" e/o 1" NPT per il montaggio di un passacavo omologato Ex-d secondo IEC/EN 60079-1.
 - Prima di aprire il coperchio della custodia „d“ (per es. durante operazioni di collegamento o di manutenzione) accertarsi che l'apparecchio sia disinserito o che non si trovi in presenza di atmosfere esplosive.
 - Avvitare il coperchio della custodia „d“ fino all'arresto. Per impedire lo svitamento del coperchio è possibile allentare una delle 2 viti esagonali poste sul corpo della custodia, incastrandola nella sagoma del coperchio.

NL B Nederlands - Veiligheidsinstructies

Deze veiligheidsinstructies gelden voor de Fluid Components, ST51/75 overeenkomstig de EG-typeverklaring nr. KEMA 08ATEX0045/IEC KEM08.0012 (nummer van de verklaring op het typeplaatje) voor gebruik in een explosieve atmosfeer volgens Categorie II 2GD.

- 1) Installatie van Ex-instrumenten dient altijd te geschieden door geschoold personeel.
 - 2) De ST51/75 moet geaard worden.
 - 3) De aansluitklemmen en de electronika zijn ingebouwd in een drukvaste behuizing met de volgende opmerkingen:
 - De schroefdraadspleet tussen de behuizing en de deksel is een ontstekingsdoorslagveilige spleet.
 - De Ex-d aansluitbehuizing heeft een 1/2" of een M20x1.5 schroefdraad voor aansluiting van een volgens IEC/EN 60079-1 goedgekeurde Ex- 'd' kabelinvoer.
 - Er moet worden veilig gesteld dat vóór het openen bij een geopende deksel van de 'd' behuizing (bijv. bij aansluit- of servicewerkzaamheden) hetzij de voedingsleiding spanningsvrij is, hetzij geen explosieve atmosfeer aanwezig is.
 - De deksel van de 'd' behuizing moet tijdens bedrijf tot aan de aanslag erin geschroefd zijn.
- Hij moet door het eruit draaien van een van de dekselborgschroeven worden geborgd.

P Português - Normas de segurança

Estas normas de segurança são válidas para os Fluid Components, ST51/75 conforme o certificado de teste de modelo N.º KEMA 08ATEX0045/IEC KEM08.0012 (número do certificado na plaqueta com os dados do equipamento) são apropriados para utilização em atmosferas explosivas categoria II 2 GD.

- 1) A instalação de equipamentos em zonas sujeitas a explosão deve, por princípio, ser executada por técnicos qualificados.
- 2) Os ST51/75 Flexmaster precisam ser ligados à terra.
- 3) Os terminais e a electrónica para a conexão da tensão de alimentação estão instalados num envólucro com protecção contra ignição á prova de sobrepressão com as seguintes notas :
 - A fenda entre o envólucro e a tampa deve ser á prova de passagem de centelha.
 - O envólucro de conexão Ex-“d” possui uma rosca 1/2” NPT e/ou M20x1.5 para a entrada de cabos Ex-“d” certificado conforme a norma IEC/EN 60079-1.
 - Deve-se assegurar que, antes de abrir a tampa do armário „d” (por exemplo, ao efectuar a conexão ou durante trabalhos de manutenção), o cabo de alimentação esteja sem tensão ou que a atmosfera não seja explosiva.
 - Durante a operação, a tampa do envólucro „d” deve estar aparafusada até o encosto. A tampa deve ser bloqueada, por um dos parafusos de fixação.

E Español - Instrucciones de seguridad

Estas indicaciones de seguridad son de aplicación para el modelo ST51/75 de Fluid Components, según la certificación CE de modelo N° KEMA 08ATEX0045/IEC KEM08.0012 para aplicaciones en atmósferas potencialmente explosivas según la categoría II 2 GD (el número de certificación se indica sobre la placa informativa del equipo).

- 1) La instalación de equipos Ex tiene que ser realizada por personal especializado.
- 2) Los ST51/75 tienen que ser conectados a tierra.
- 3) Los bornes de conexión y la unidad electrónica están montados dentro de una caja con protección antideflagrante y resistente a presión, considerándose los siguientes puntos:
 - La holgura entre la rosca de la tapa y la propia de la caja está diseñada a prueba contra ignición.
 - La caja tiene conexiones eléctricas para entrada de cables con rosca 1/2” NPT y/o M20x1.5, donde deberán conectarse prensaestopas certificados Exd según IEC/EN60079-1.
 - Antes de la apertura de la tapa de la caja "Exd" (p. ej. durante los trabajos de conexión o de puesta en marcha) hay que asegurar que el equipo se halle sin tensión o que no exista presencia de atmósfera explosiva.
 - Durante el funcionamiento normal: la tapa de la caja antideflagrante tiene que estar cerrada, roscada hasta el tope, debiéndose asegurar apretando los tornillos de bloqueo.

S Svenska - Säkerhetsanvisningar

Säkerhetsanvisningarna gäller för Fluid Components, Flödesmätare typ ST51/75 enligt EG-typkontrollintyg nr KEMA 08ATEX0045/IEC KEM08.0012 (intygsnumret återfinns på typskylten) är lämpad för användning i explosiv gasblandning i kategori II 2 GD.

- 1) Installation av Ex- klassade instrument måste alltid utföras av fackpersonal.
- 2) ST51/75 måste jordas.
- 3) Anslutningsklämmorna och elektroniken är inbyggda i en explosions och trycktät kapsling med följande kommentar:
 - Spalten mellan kapslingen och lockets gänga är flamsäker.
 - Ex-d kapslingen har en 1/2” NPT och / eller M20x1.5 gänga för montering av en IEC/EN 60079-1 typkontrollerad Ex- „d” kabel förskruvning
 - När Ex- „d”-kapslingens lock är öppet (t.ex. vid inkoppling - eller servicearbeten) ska man se till att enheten är spänningslös eller att ingen explosiv gasblandning förekommer.
 - Under drift måste Ex - d”-kapslingens lock vara iskruvad till anslaget. För att säkra locket skruvar man i en av lockets insex låsskruvar .

INTENTIONALLY LEFT BLANK

Appendix B - List Commands

COMMAND MNEMONIC	COMMAND FUNCTION	COMMAND DESCRIPTION
A	R	AvgDelta_r, AvgRef
B	R	Delta_r, Ref_r
C	R	Tcdelta_r, Ref_r
D	R	Diagnostics
F	R/W	Kfactors
G	R/W	Clear FlashEE, Boxcar Count, ADC to Ohms Cal
K	R/W	Cal Parameters
L	R/W	Output Cal
N	W	Warm Restart
R	W	Factory Restore
S	R/W	Totalizer Menu On/Off
T	R	Normal Mode
V	R/W	Output Config
W	R/W	Totalizer
Y	W	Command Line Interface
Z	W	Flow units, Pipe Size, and LCD Scaling

Table 5. ST51 List of Single Letter Commands

COMMAND MNEMONIC	COMMAND FUNCTION	COMMAND DESCRIPTION	DATA TYPE
BK	R/W	Break Point	Float
BM	R/W	Boxcar Filter Max	Integer
CM	R/W	Cminflow	Float
CR	R/W	Calibration Ref	Float
CX	R/W	Cmaxflow	Float
C1[1-5]	R/W	Coefficients set1	Float
C2[1-5]	R/W	Coefficients set2	Float
DI	R	Diagnostics	Null
DM	R/W	DeltaR Minimum	Float
DN	R/W	Density	Float
DR	R	Delta R	Float
DX	R/W	DeltaR Maximum	Float
DS	R/W	DeltaR Slope	Float
DF	R/W	DeltaR Offset	Float
EU	R/W	Engineering Units	Integer
FF	R/W	Flow Factor	Float
FP	R/W	Fix Point Flag	Integer
F0	R/W	Pulse Out State0	Integer
F1	R/W	Pulse Out State1	Integer
HR	R/W	Tot Dump Hours Cntr	Integer
IF	R/W	I Factor	Float

Table 6. ST51 List of CLI Commands

Table 6. ST51 List of CLI Commands, Cont.

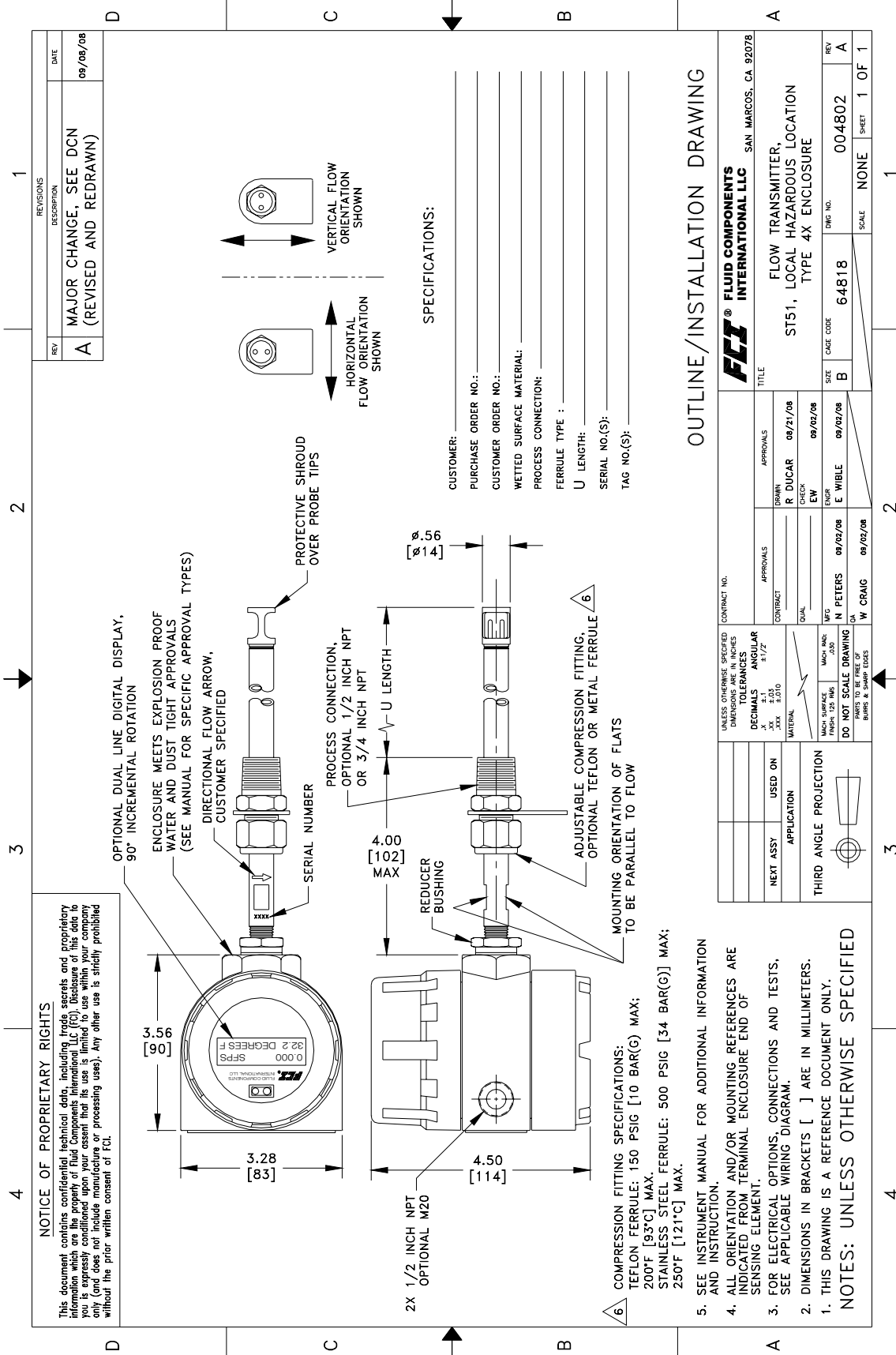
COMMAND MNEMONIC	COMMAND FUNCTION	COMMAND DESCRIPTION	DATA TYPE
K[1-4]	R/W	K Factors	Float
L0	R/W	Line Size0	Float
L1	R/W	Line Size1	Float
MN	R/W	Minflow	Float
MX	R/W	Maxflow	Float
OM	R/W	Outmode	Integer
PF	R/W	Pulse Factor	Float
PL	R/W	Pulse Out	Integer
PS	R/W	Pulse Sample Period	Float
PW	R/W	Pulse Width	Float
P0	R/W	Switch Point0	Integer
P1	R/W	Switch Point1	Integer
RO	R/W	RollOver Cntr	Long
RR	R	Reference R	Float
RS	R/W	RefR Slope	Float
RF	R/W	RefR Offset	Float
SF	R	SFPS Flow	Float
SN	R/W	Serial Number	String (16 chars max.)
SO	R/W	Shop Order Number	String (16 chars max.)
S0	R/W	SpanDAC0 for 4-20mA #1	Integer
S3	R/W	SpanDAC1 for 4-20mA #2	Integer
S2	W	Save FACTORY	N/A
TC	R	TCdeltar	Float
TD	R/W	Teslp	Float
TF	R/W	Totalizer OFF/ON Flag	Integer
TM	R/W	Cmintemp	Float
TP	R/W	Totalizer Temperature Flag	Integer
TT	R/W	Totalizer Value	Float
TX	R/W	Cmaxtemp	Float
TZ	R	Temperature	Float
T0	R/W	Teslp0	Float
T2	R/W	Teslp2	Float
T3	R/W	TSpanDAC0 for 4-20mA #1	Integer
T7	R/W	TSpanDAC1 for 4-20mA #2	Integer
T5	R/W	TZeroDAC0 for 4-20mA #1	Integer
T8	R/W	TZeroDAC1 for 4-20mA #2	Integer
UF	R	User Flow	Float
UK	R	User FlowK	Float
UN	R/W	User Name	String (16 chars max.)
VN	R	Version Number	String (16 chars max.)
XX	R/W	Test Flow Rate (SFPS)	Float
XY	W	Delete Test Flow Rate	Float
Z0	R/W	ZeroDAC0 for 4-20mA #1	Integer
Z2	R/W	ZeroDAC1 for 4-20mA #2	Integer

Command Line Password: 357

NOTE: When invoking a Write Function, there must be a space separating the Command characters and the data value. All Read and Write Functions are completed with a <CR>. To exit CLI, press <CR> following the last Command <CR>.

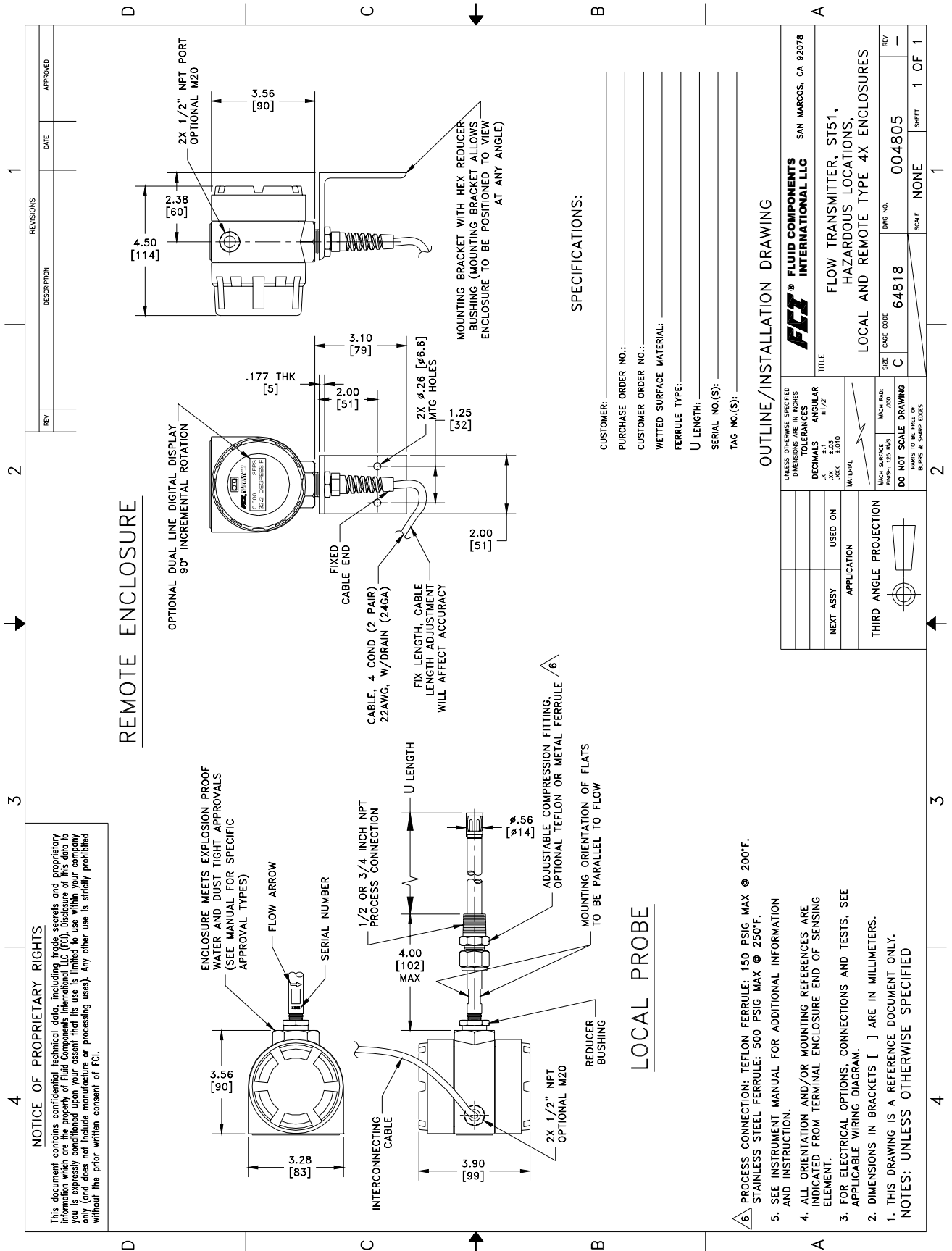
Examples: RBK<CR> (Read Breakpoint)
 WBK 2222<CR> (Write Breakpoint 2222)
 RC11<CR> (Read Coefficient C1,1)
 WC11 -234.567<CR> (Write Coefficient C1,1, -234.567)
 <CR> (Leave Command Line Mode)

INTENTIONALLY LEFT BLANK



OUTLINE/INSTALLATION DRAWING

UNLESS OTHERWISE SPECIFIED DIMENSIONS ARE IN INCHES		CONTRACT NO.	
DECIMALS	ANGULAR	APPROVALS	APPROVALS
.XX	±.03	DRW	R. DUCAR
.XXX	±.010	CHECK	EW
MATERIAL	MACH. FIN.	ENG	N. PETERS
	1/2"	DR	W. CRAIG
	.250		
	DO NOT SCALE DRAWING		
	PARTS TO BE FREE OF BURRS & SHARP EDGES		
NEXT ASSY	USED ON	APPLICATION	THIRD ANGLE PROJECTION
TITLE		FLOW TRANSMITTER, ST51, LOCAL HAZARDOUS LOCATION TYPE 4X ENCLOSURE	
FEE [®] FLUID COMPONENTS INTERNATIONAL LLC		SAN MARCOS, CA 92078	
SIZE	CAGE CODE	DWG NO.	REV
B	64818	004802	A
SCALE	NONE	SHEET	1 OF 1



NOTICE OF PROPRIETARY RIGHTS

This document contains confidential technical data, including trade secrets and proprietary information which are the property of Fluid Components International, LLC. Disclosure of this data to anyone other than those specifically authorized by Fluid Components International, LLC is strictly prohibited and may result in civil and criminal penalties. This document is intended for use only (and does not include manufacture or processing uses). Any other use is strictly prohibited without the prior written consent of FCI.

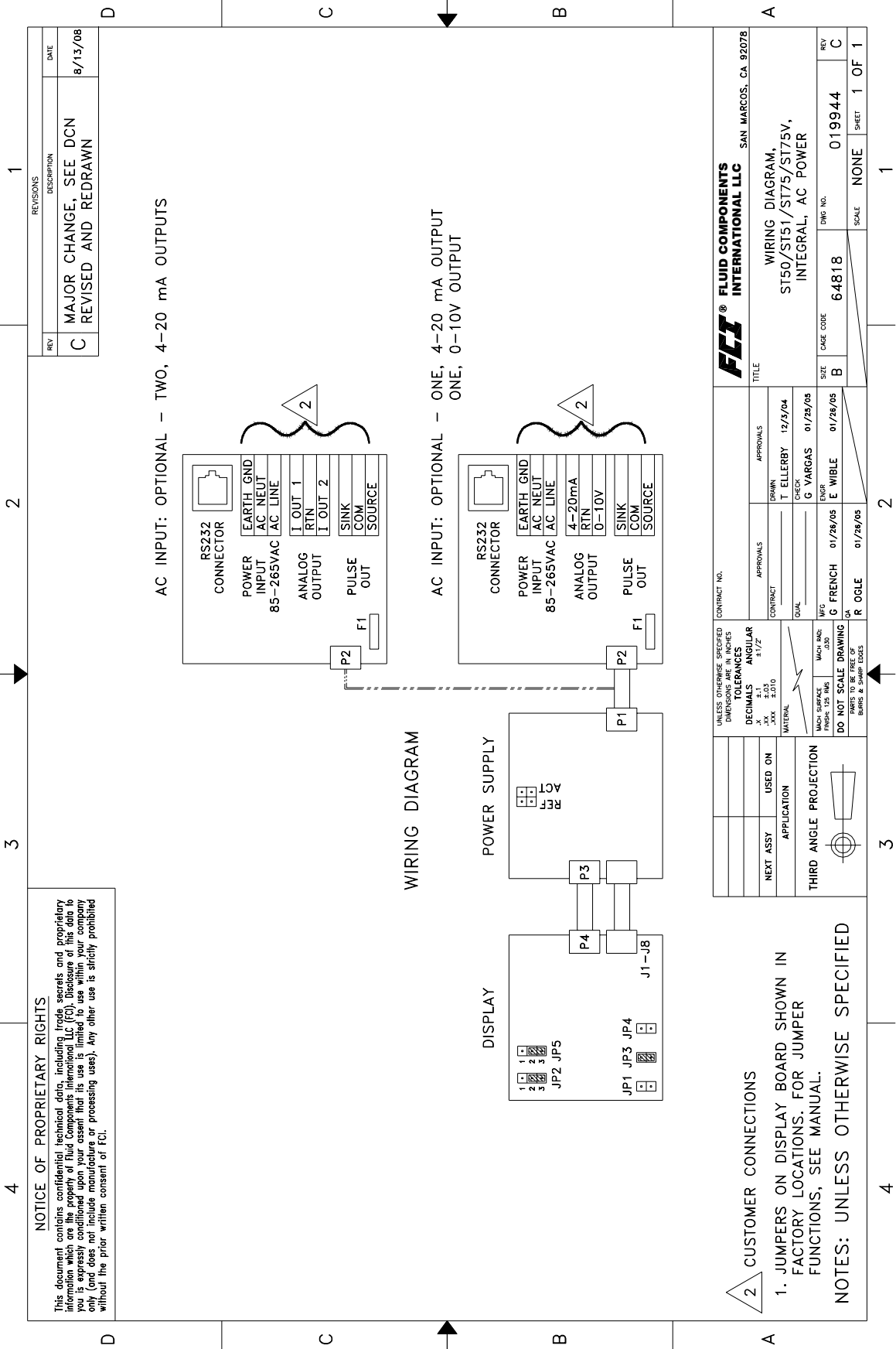
- 6 PROCESS CONNECTION: TEFLON FERRULE: 150 PSIG MAX @ 200°F. STAINLESS STEEL FERRULE: 500 PSIG MAX @ 250°F.
 - 5. SEE INSTRUMENT MANUAL FOR ADDITIONAL INFORMATION AND INSTRUCTIONS.
 - 4. ALL ORIENTATION AND/OR MOUNTING REFERENCES ARE INDICATED FROM TERMINAL ENCLOSURE END OF SENSING ELEMENT.
 - 3. FOR ELECTRICAL OPTIONS, CONNECTIONS AND TESTS, SEE APPLICABLE WIRING DIAGRAM.
 - 2. DIMENSIONS IN BRACKETS [] ARE IN MILLIMETERS.
 - 1. THIS DRAWING IS A REFERENCE DOCUMENT ONLY.
- NOTES: UNLESS OTHERWISE SPECIFIED

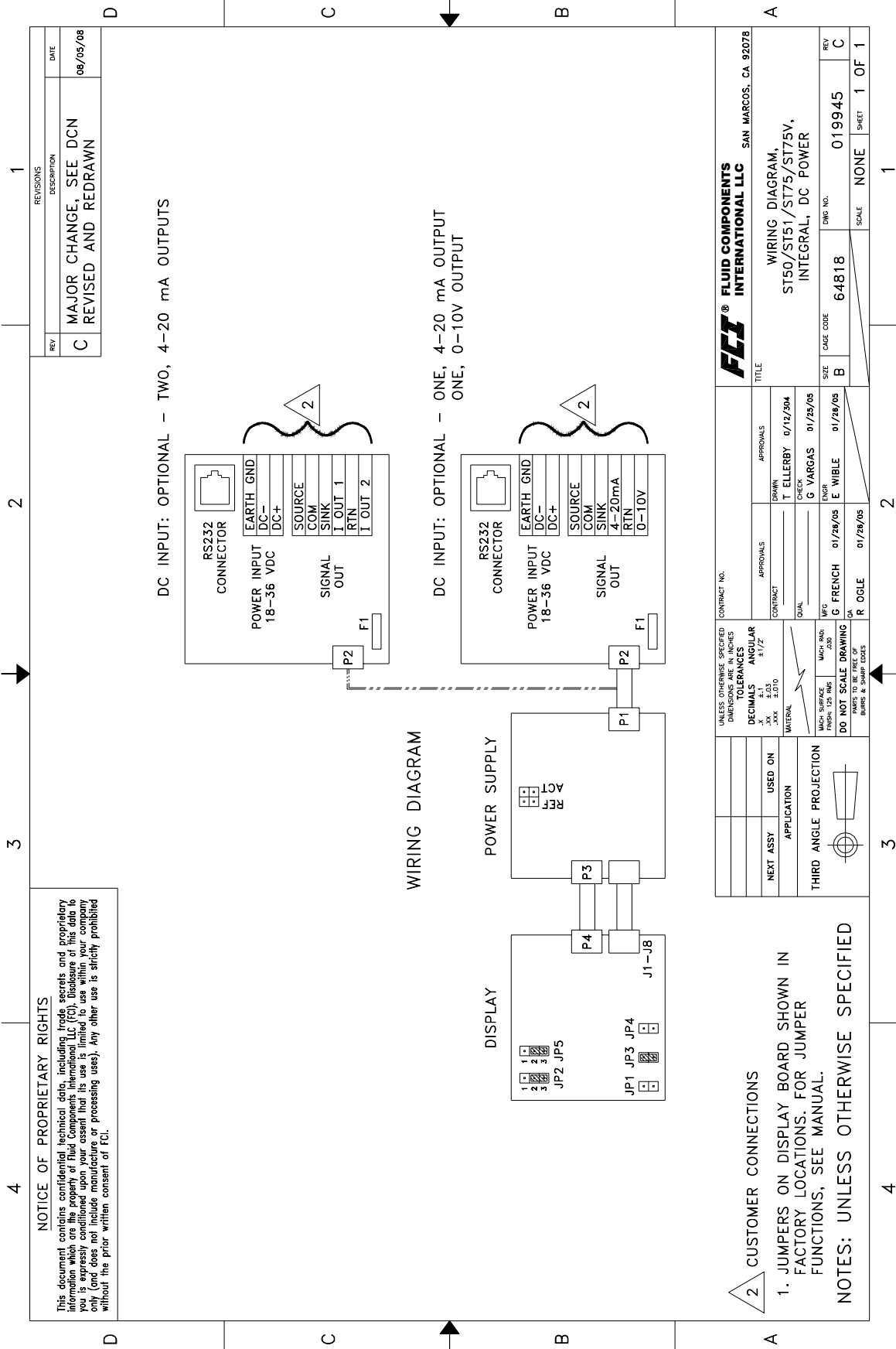
OUTLINE/INSTALLATION DRAWING

UNLESS OTHERWISE SPECIFIED DIMENSIONS ARE IN INCHES		FCI® FLUID COMPONENTS INTERNATIONAL LLC SAN MARCOS, CA 92078	
DECIMALS	ANGULAR	TITLE	
.X X.1 X.00	±1/2° ±1.0°	FLOW TRANSMITTER, ST51, HAZARDOUS LOCATIONS, LOCAL AND REMOTE TYPE 4X ENCLOSURES	
MATERIAL		SIZE	SCALE
MACH. SURFACE FINISH: 125 RMS		C	NONE
DO NOT SCALE DRAWING		DWG NO.	SHEET
PARTS TO BE FREE OF RIPS & BURR EDGES		64818	004805
NEXT ASSY USED ON APPLICATION		REV	
THIRD ANGLE PROJECTION		1 OF 1	

SPECIFICATIONS:

CUSTOMER: _____
 PURCHASE ORDER NO.: _____
 CUSTOMER ORDER NO.: _____
 WETTED SURFACE MATERIAL: _____
 FERRULE TYPE: _____
 U LENGTH: _____
 SERIAL NO.(S): _____
 TAG NO.(S): _____





NOTICE OF PROPRIETARY RIGHTS

This document contains confidential technical data, including trade secrets and proprietary information which are the property of Fluid Components International LLC (FCI). Disclosure of this data to you is expressly conditioned upon your assent that its use is limited to use within your company only (and does not include manufacture or processing uses). Any other use is strictly prohibited without the prior written consent of FCI.

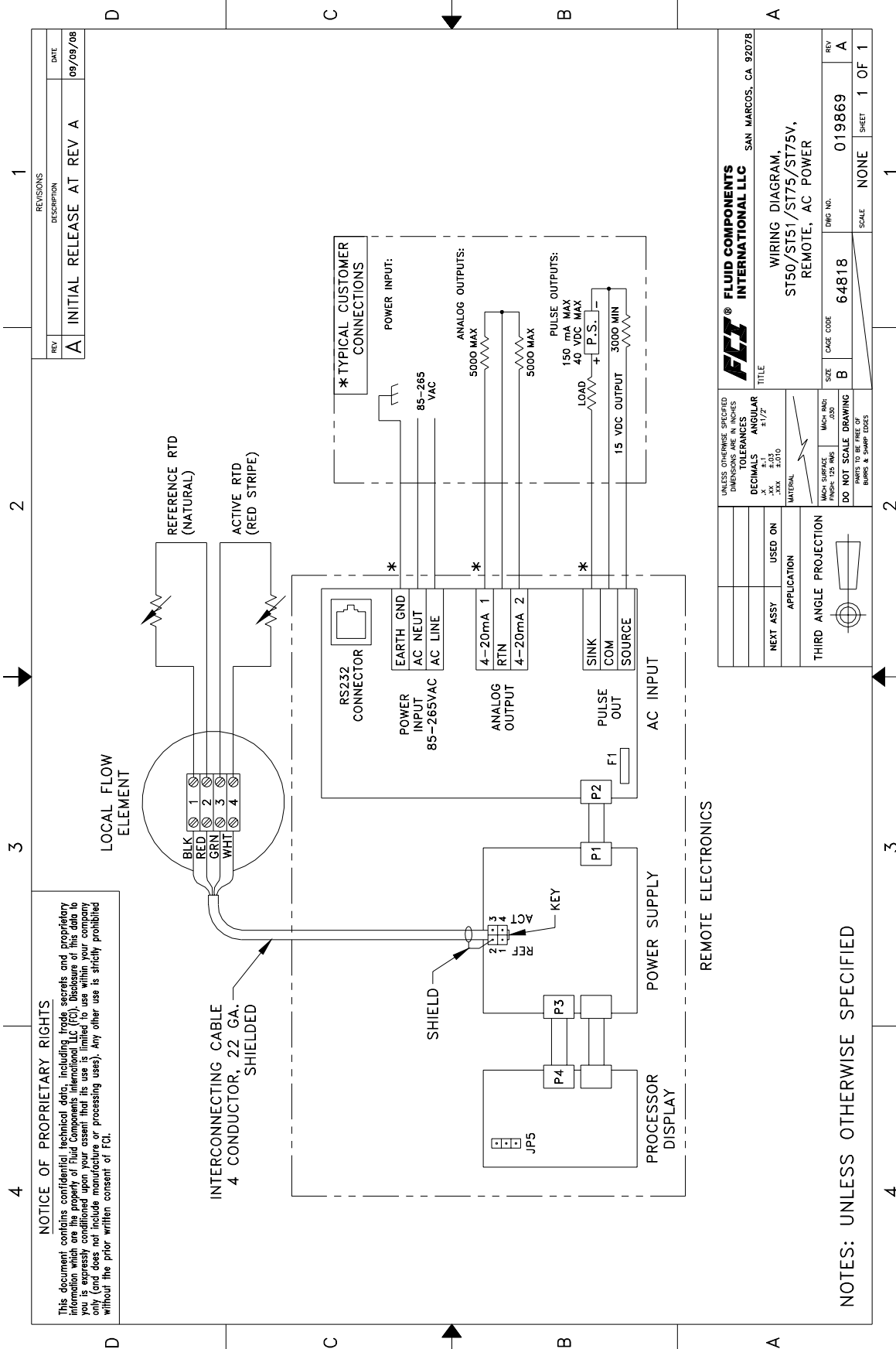
REV	DESCRIPTION	DATE
C	MAJOR CHANGE, SEE DCN REVISED AND REDRAWN	08/05/08

UNLESS OTHERWISE SPECIFIED DIMENSIONS ARE IN INCHES		CONTRACT NO.	
TOLERANCES	DECIMALS	ANGULAR	1/16"
.XX	±.05		
.XXX	±0.00		
MATERIAL		APPROVALS	APPROVALS
DRAWN		T. ELLERBY	07/12/2004
CHECK		G. VARGAS	01/29/05
ENGR		E. WIBLE	01/29/05
MFG		R. OGLE	01/29/05
MATERIAL		SCALE	NONE
MATERIAL		SIZE	64818
MATERIAL		DWG NO.	019945
MATERIAL		REV	C
MATERIAL		SHEET	1 OF 1

UNLESS OTHERWISE SPECIFIED DIMENSIONS ARE IN INCHES		CONTRACT NO.	
TOLERANCES	DECIMALS	ANGULAR	1/16"
.XX	±.05		
.XXX	±0.00		
MATERIAL		APPROVALS	APPROVALS
DRAWN		T. ELLERBY	07/12/2004
CHECK		G. VARGAS	01/29/05
ENGR		E. WIBLE	01/29/05
MFG		R. OGLE	01/29/05
MATERIAL		SCALE	NONE
MATERIAL		SIZE	64818
MATERIAL		DWG NO.	019945
MATERIAL		REV	C
MATERIAL		SHEET	1 OF 1

FEI® FLUID COMPONENTS INTERNATIONAL LLC

WIRING DIAGRAM,
ST50/ST51/ST75/ST75V,
INTEGRAL, DC POWER

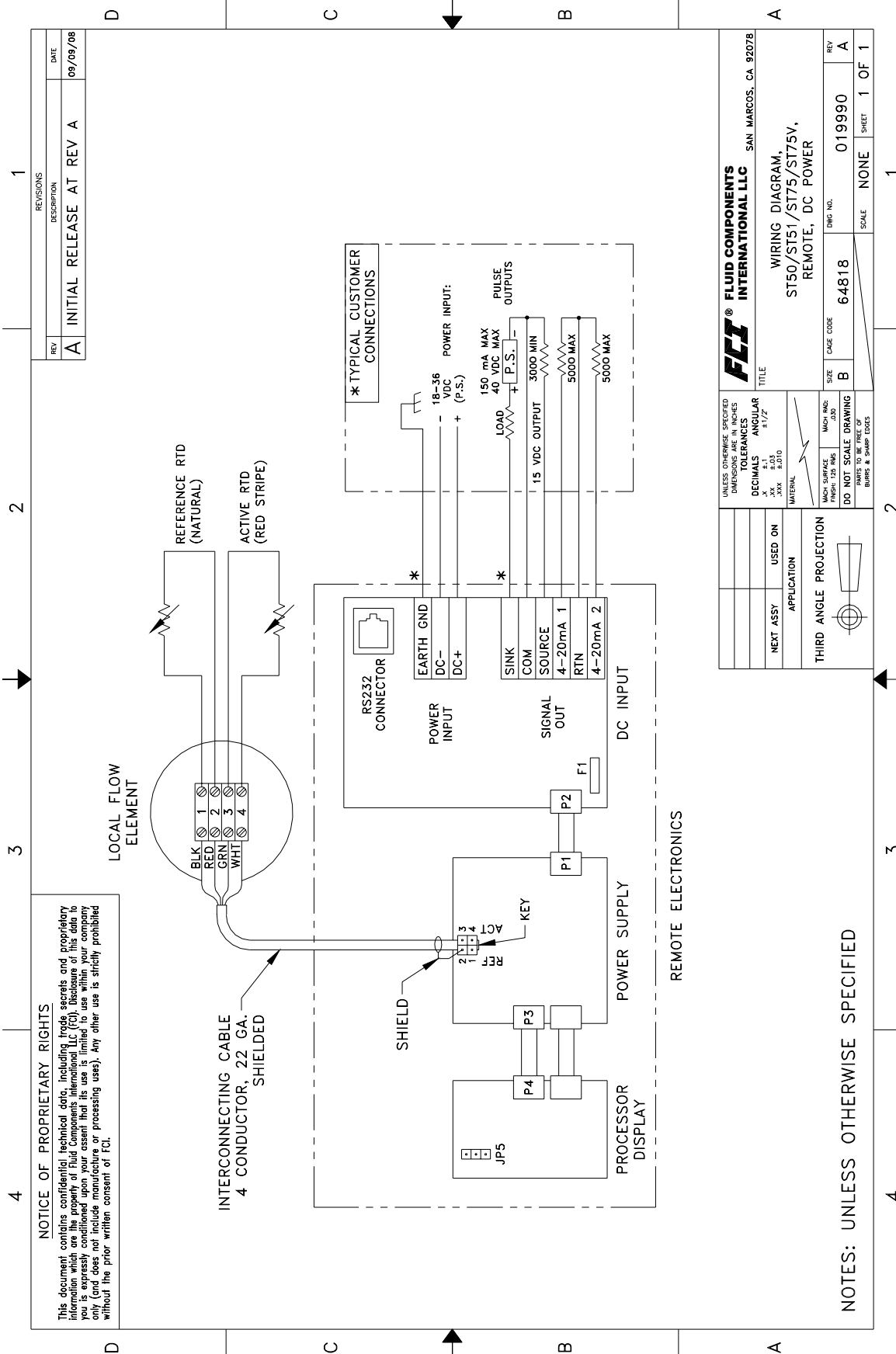


NOTICE OF PROPRIETARY RIGHTS
 This document contains confidential, technical data, including trade secrets and proprietary information which are the property of Fluid Components International LLC (FCI). Disclosure of this data to any other person without your express consent is prohibited. Your use is limited to use within your company for the specific application and processing uses. Any other use is strictly prohibited without the prior written consent of FCI.

REV	DESCRIPTION	DATE
A	INITIAL RELEASE AT REV A	09/09/08

FCI FLUID COMPONENTS INTERNATIONAL LLC SAN MARCOS, CA 92078	
TITLE WIRING DIAGRAM, ST50/ST151/ST75/ST75V, REMOTE, AC POWER	
UNLESS OTHERWISE SPECIFIED DIMENSIONS ARE IN INCHES DECIMALS ANGULAR .XX ±.03 .XXX ±.010 MATERIAL	MACH FINISH .030 DO NOT SCALE DRAWING PARTS TO BE FREE OF BURRS & SHARP EDGES
NEXT ASSY USED ON APPLICATION THIRD ANGLE PROJECTION	SIZE B CASE CODE 64818 DWG NO. 019869 SCALE NONE SHEET 1 OF 1 REV A

NOTES: UNLESS OTHERWISE SPECIFIED



FLUID COMPONENTS INTERNATIONAL LLC SAN MARCOS, CA 92078	
TITLE WIRING DIAGRAM, ST50/ST51/ST75/ST75V, REMOTE, DC POWER	
UNLESS OTHERWISE SPECIFIED DIMENSIONS ARE IN INCHES TOLERANCES DECIMALS ±.1 ANGULAR ±.1/2° MATERIAL MACH SURFACE FINISH: 125 RMS .030 DO NOT SCALE DRAWING DIMENSIONS TO CENTER OF HOLES & DRILL LOCUS	DWG. NO. 64818 CAGE CODE B SIZE NONE SCALE 1 OF 1
NEXT ASSY USED ON APPLICATION THIRD ANGLE PROJECTION	REV A SHEET 1 OF 1

NOTES: UNLESS OTHERWISE SPECIFIED

INTENTIONALLY LEFT BLANK

Appendix D - Customer Service

Customer Service/ Technical Support

FCI provides full in-house technical support. Additional technical representation is also provided by FCI field representatives. Before contacting a field or in-house representative, please perform the troubleshooting techniques outlined in this document.

By Mail

Fluid Components International LLC
1755 La Costa Meadows Dr.
San Marcos, CA 92078-5115 USA
Attn: Customer Service Department

By Phone

Contact the area FCI regional representative. If a field representative is unable to be contacted or if a situation is unable to be resolved, contact the FCI Customer Service Department toll free at 1 (800) 854-1993.

By Fax

To describe problems in a graphical or pictorial manner, send a fax including a phone or fax number to the regional representative. Again, FCI is available by facsimile if all possibilities have been exhausted with the authorized factory representative. Our Fax number is 1 (760) 736-6250; it is available 7 days a week, 24 hours a day.

By E-Mail

FCI Customer Service can be contacted by e-mail at: techsupport@fluidcomponents.com. Describe the problem in detail making sure a telephone number and best time to be contacted is stated in the e-mail.

International Support

For product information or product support outside the contiguous United States, Alaska, or Hawaii, contact your country's FCI International Representative or the one nearest to you.

After Hours Support

For product information visit FCI's Worldwide Web at www.fluidcomponents.com. For product support call 1 (800) 854-1993 and follow the prerecorded instructions.

Point of Contact

The point of contact for service, or return of equipment to FCI is your authorized FCI sales/service office. To locate the office nearest you, please go to www.fluidcomponents.com.

Warranty Repairs or Returns

FCI prepays ground transportation charges for return of freight to the customer's door. FCI reserves the right to return equipment by the carrier of our choice.

International freight, handling charges, duty/entry fees for return of equipment are paid by the customer.

Non-Warranty Repairs or Returns

FCI returns repaired equipment to the customer either collect or prepaid and adds freight charges to the customer invoice.

Return to Stock Equipment

The customer is responsible for all shipping and freight charges for equipment that is returned to FCI stock from the customer site. These items will not be credited to customer's account until either all freight charges are cleared or until the customer agrees to have any freight costs incurred by FCI deducted, along with applicable return to stock charges, from the credit invoice. (Exceptions are made for duplicate shipments made by FCI.)

If any repair or return equipment is received at FCI, freight collect, without prior factory consent, FCI bills the sender for these charges.

Field Service Procedures

Contact an FCI field representative to request field service.

A field service technician is dispatched to the site from either the FCI factory or one of the FCI representative offices. After the work is complete, the technician completes a preliminary field service report at the customer site and leaves a copy with the customer.

Following the service call, the technician completes a formal, detailed service report. The formal report is mailed to the customer within five days of the technician's return to the factory or office.

Field Service Rates

All field service calls are billed at the prevailing rates as listed in the FCI Price Book unless specifically excepted by the FCI Customer Service Manager. FCI reserves the right to bill for travel times at FCI's discretion.

Customers are charged for shipping costs related to the transfer of equipment to and from the job site. They are also invoiced for field service work and travel expenses by FCI's Accounting Department.



Fax Cover Sheet

Company: _____ Date: _____
 Attention: _____ Dept: _____
 Fax No: _____ Direct Phone: _____
 From: _____ No. of Pages: _____

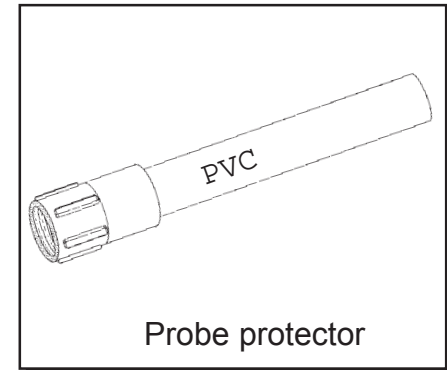
To expedite repairs the following Return Authorization Request form **must be completed and faxed back to FCI before** a Return Authorization Number will be issued. The Decontamination Statement **must be signed** and Applicable MSDS Sheets **must be included with the shipment**. FCI will either fax or telephone you with the Return Authorization Number upon receipt of the completed form.

Packing Procedures

- Electronics** should be wrapped in an **anti-static** or **static-resistant** bag (FCI can provide), then wrapped in protective bubble wrap and surrounded with appropriate dunnage* in a box. Instruments weighing up to **50 lbs.**, should be wrapped in protective wrap and surrounded with appropriate dunnage* in a box. Instruments weighing **more than 50 lbs., or extending more than four feet** should be secured in wooden crates by bolting the assemblies in place.
- The sensor element must be protected** with tubing or other sturdy wrapping or, when applicable, retracted completely and secured into the Packing Gland Assembly. FCI will supply suitable probe protectors at your request (see diagram - right).
- FCI can supply crates at a nominal fee.
- No more than **four (4)** small units packaged in each carton.
- Packages weighing in excess of **70 lbs., or with the combined length and girth of more than 138"** cannot be shipped via UPS and should be shipped via carriers who specialize in the transport of industrialized instrumentation.
- FCI will not be held liable for damage caused during shipping.
- To ensure immediate processing **mark** the RA number on the outside of the box. Items without an RA number marked on the box or crate may be delayed.
- Freight **Must be "PrePaid"** to FCI receiving door.



Anti-Static Bag



Probe protector

Factory Return Shipping Address: **Fluid Components International LLC**
1755 La Costa Meadows Drive
San Marcos, CA 92078-5115
Attn: Repair Department,
RA # _____

* Appropriate dunnage as defined by UPS, will protect package contents from a drop of 3 feet.

This message is intended for the use of the individual or entity to whom it is addressed and may contain proprietary data or confidential business or financial information that can only be used, copied, or disclosed as authorized by Fluid Components.

Visit FCI on the Worldwide Web: www.fluidcomponents.com

1755 La Costa Meadows Drive, San Marcos, California 92078 USA ‡ Phone: 760-744-6950 ‡ 800-854-1993 ‡ Fax: 760-736-6250



1755 La Costa Meadows Drive, San Marcos, CA 92078-5115 USA
760-744-6950 / 800-854-1993 / Fax: 760-736-6250

Web Site: www.fluidcomponents.com / E-mail: techsupport@fluidcomponents.com

RA # _____

Return Authorization Request

1. Return Customer Information

Returning Company's Name: _____ Fax # _____

Return Contact Name: _____ Phone # _____

Email Address: _____

2. Return Address

Bill To: _____ Ship To: _____

3. Return Product Information



Model No: _____ Serial No(s): _____

Failure Symptoms (Detailed Description Required): _____

What Trouble Shooting Was Done Via Phone or Field Visit by FCI: _____

FCI Factory Technical Service Contact: _____

- 4. Reason For Return** Sensor Element Electronics As Found Testing Credit
 Recalibrate (Old Data) Recalibrate (New Data) Other
(Note: A new Application Data Sheet (ADS) must be submitted for all recalibrations and re-certifications)

- 5. Payment Via** Faxed Purchase Order  
*(Note: A priced quotation is provided for all Non-Warranty repairs after equipment has been evaluated.
All Non-Warranty repairs are subject to a minimum evaluation charge)*

- Sensor Element Protector Requested Electronics Anti-Static Bag Requested

Decontamination Information ! This Section Must Be Completed !
<p>Exposure to hazardous materials is regulated by Federal, State (California), County and City laws and regulations. These laws provide FCI's employees with the "Right to Know" the hazardous or toxic materials or substances in which they may come in contact while handling returned products. Consequently, our employees must have access to data regarding the hazardous or toxic materials or substances which the equipment has been exposed to in your process(es). Accordingly, prior to returning your instrument for evaluation/repair, please read then sign the certification below and thoroughly comply with the applicable instructions.</p> <p>I certify that the returned item(s) has(have) been thoroughly and completely cleaned. If the returned item(s) has(have) been exposed to hazardous or toxic materials or substances, the undersigned attests that the attached Material Safety Data Sheet(s) (MSDS) which cover said materials or substances are complete and accompany the returned item(s). Furthermore, I understand that this Certificate, or providing a MSDS, shall not waive our responsibility to provide a neutralized, decontaminated, and clean product for evaluation/repair to FCI. Cleanliness of a returned item or the acceptability of the MSDS shall be at the sole discretion of FCI. Any item returned which does not comply with these instructions shall be returned to your location Freight Collect and at your risk.</p> <p>Process Flow Media _____</p> <p>Authorized Signature _____ Date _____</p>

Instrument Warranty

Goods furnished by the Seller are to be within the limits and of the sizes published by the Seller and subject to the Seller's standard tolerances for variations. All items made by the Seller are inspected before shipment, and should any of said items prove defective due to faults in manufacture or performance under Seller approved applications, or fail to meet the written specifications accepted by the Seller, they will be replaced or repaired by Seller at no charge to Buyer provided return or notice of rejection of such material is made within a reasonable period but in no event longer than one (1) year for non-calibration defects and one (1) year for calibration defects from date of shipment to Buyer, and provided further, that an examination by Seller discloses to Seller's reasonable satisfaction that the defect is covered by this warranty and that the Buyer has not returned the equipment in a damaged condition due to Buyer's or Buyer's employees', agents', or representatives' negligence and Buyer has not tampered, modified, redesigned, misapplied, abused, or misused the goods as to cause the goods to fail. In addition, this warranty shall not cover damage caused by Buyer's exposure of the goods to corrosive or abrasive environments. Moreover, Seller shall in no event be responsible for (1) the cost or repair of any work done by Buyer on material furnished hereunder (unless specifically authorized in writing in each instance by Seller), (2) the cost or repair of any modifications added by a Distributor or a third party, (3) any consequential or incidental damages, losses, or expenses in connection with or by reason of the use of or inability to use goods purchased for any purpose, and Seller's liability shall be specifically limited to free replacement, or refund of the purchase price, at Seller's option, provided return or rejection of the goods is made consistent with this paragraph, and the Seller shall in no event be liable for transportation, installation, adjustment, loss of good will or profits, or other expenses which may arise in connection with such returned goods, or (4) the design of products or their suitability for the purpose for which they are intended or used. Should the Buyer receive defective goods as defined by this paragraph, the Buyer shall notify the Seller immediately, stating full particulars in support of his claim, and should the Seller agree to a return of the goods, the Buyer shall follow Seller's packaging and transportation directions explicitly. In no case are the goods to be returned without first obtaining a return authorization from the Seller. Any repair or replacement shall be at Seller's factory, unless otherwise directed, and shall be returned to Seller transportation prepaid by Buyer. If the returned goods shall prove defective under this clause they will be replaced or repaired by Seller at no charge to Buyer provided the return or rejection of such material is made within a reasonable period, but in no event longer than (1) year from the date of shipment of the returned goods or the unexpired terms of the original warranty period whichever is later. If the goods prove to be defective under this paragraph, the Buyer shall remove the goods immediately from the process and prepare the goods for shipment to Seller. Continued use or operation of defective goods is not warranted by Seller and damage occurring due to continued use or operation shall be for Buyer's account. Any description of the goods contained in this offer is for the sole purpose of identifying them, and any such description is not part of the basis of the bargain, and does not constitute a warranty that the goods will conform to that description. The use of any sample or model in connection with this offer is for illustrative purposes only, is not part of the basis of the bargain, and is not to be construed as a warranty that the goods will conform to the sample or model. No affirmation of that fact or promise made by the Seller, whether or not in this offer, will constitute a warranty that the goods will conform to the affirmation or promise. THIS WARRANTY IS EXPRESSLY IN LIEU OF ANY AND ALL OTHER EXPRESS OR IMPLIED WARRANTIES WITH RESPECT TO THE GOODS OR THEIR INSTALLATION, USE, OPERATION, REPLACEMENT OR REPAIR, INCLUDING ANY IMPLIED WARRANTY OF MERCHANTABILITY OR FITNESS OF PURPOSE; AND THE GOODS ARE BEING PURCHASED BY BUYER "AS IS". SELLER WILL NOT BE LIABLE BY VIRTUE OF THIS WARRANTY OR OTHERWISE FOR ANY SPECIAL, INCIDENTAL OR CONSEQUENTIAL LOSS OR DAMAGE RESULTING FROM THE USE OR LOSS OF USE OF THE GOODS.



FCI's Complete Customer Commitment. Worldwide
ISO 9001:2000 and AS9100 Certified

Notice of Proprietary Rights

This document contains confidential technical data, including trade secrets and proprietary information which is the property of Fluid Components International LLC (FCI). Disclosure of this data to you is expressly conditioned upon your assent that its use is limited to use within your company only (and does not include manufacture or processing uses). Any other use is strictly prohibited without the prior written consent of FCI.

Visit FCI on the Worldwide Web: www.fluidcomponents.com

1755 La Costa Meadows Drive, San Marcos, California 92078 USA - 760-744-6950 - 800-854-1993 - Fax 760-736-6250